

THIS DRAWING IS PROPERTY OF CLEAVER-BROOKS, INC. IT IS SUBJECT TO CHANGE WITHOUT NOTICE, AND IS NOT TO BE COPIED OR USED IN ANY WAY DETRIMENTAL TO THE COMPANY. SUGGESTIONS AND INFORMATION CONTAINED ON THIS DRAWING ARE NOT INTENDED TO SUPPLANT LOCAL CODES.

4

3

2

1

ITEM	DESCRIPTION/MATERIAL
1	Safety Valve, @ 160 PSI (Shipped Loose)
2	Valve, Ball, Drain, 3/4" NPT
3	Pressure Gauge
4	Temperature Gauge,
5	Pilot Light, Red (Low Water)
6	Alarm Bell - 4"
7	Air Vent & Gate Valve - 0.5 NPS
8	Pilot Light, White (Control Power "ON")
9	Pilot Light, Red (High Temperature)
10	Control Power Switch
11	Water Outlet - 2.0 NPS
12	Water Inlet - 2.0 NPS
13	Temperature Limit, Manual Reset,
14	Temperature Limit, Auto Reset,
15	Temperature Control, Modulating
16	LWCO Probe (Internal)

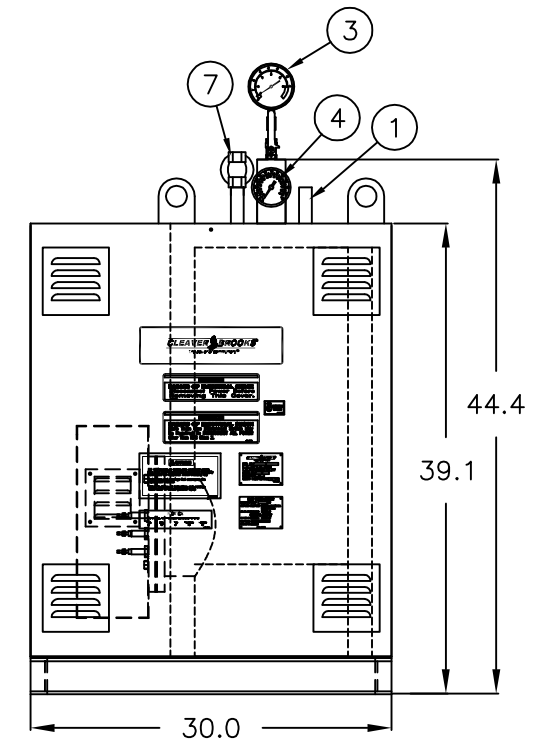
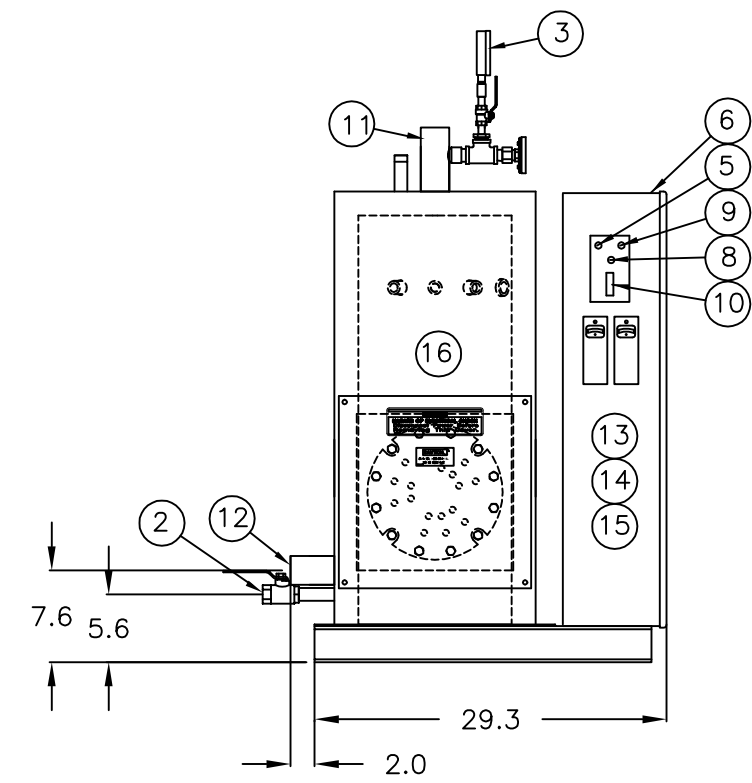
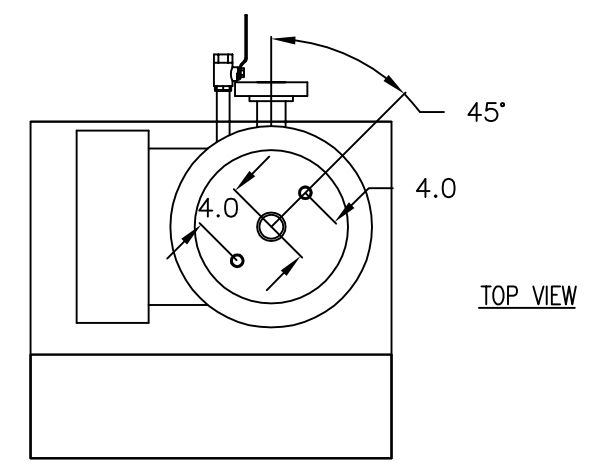
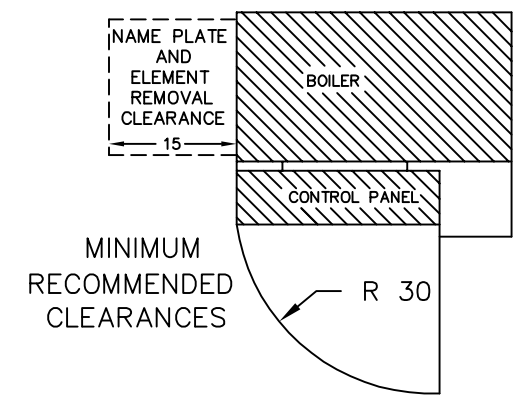
**NOTES:**

- Boiler to be constructed per ASME Boiler and Pressure Vessel Code, Section IV, "H" stamped and National Board registered.
- Boiler to comply with NEC, CSD-1 and UL requirements, and shall bear the UL label.
- Boiler has 2" blanket insulation covered with sectional sheet metal lagging
- Anchor bolt holes provided

**CAUTION**

DIMENSIONS SHOWN ARE APPROXIMATE AND SHOULD NOT BE USED IN RESTRICTIVE LAYOUTS OR TO PREFABRICATE ASSEMBLIES UNLESS CLEAVER-BROOKS HAS BEEN CONSULTED. IT IS STRONGLY RECOMMENDED THAT THE CUSTOMER REQUEST AS-BUILT CERTIFIED DRAWINGS FOR THESE CASES.

BOILER MAY BE SHOWN WITH OPTIONAL EQUIPMENT IN LUEI OF STANDARD COMPONENTS.



REVISIONS	SPECIFICATIONS
	PRESSURE: DESIGN <u>160</u> KW <u>72</u> AT <u>480</u> / <u>3</u> / <u>60</u> <u>12</u> ELEMENTS AT <u>6</u> KW <u>75</u> WSI INCOLOY SAFETY VALVE SET PRESSURE <u>160</u> PSI

SAMPLE	DIMENSIONAL DRAWING
	SHT 01 OF 01

SCALE N.T.S.
DATE 8/23/10
DRAWN
SIZE

<b>CleaverBrooks®</b>				
WB 480 VOLTS	120 3 PHASE	72 60 HERTZ	160HW 3 WIRE	GALLONS N/A INSURANCE
DRWG. NO. SAMPLE				00

D  
C  
B  
A