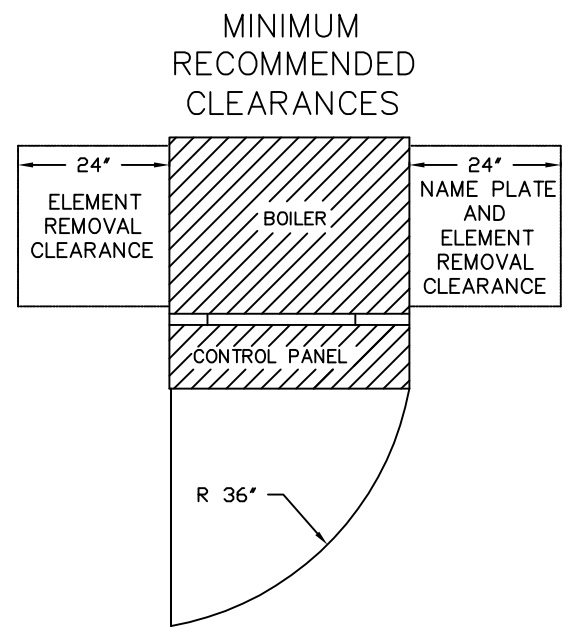
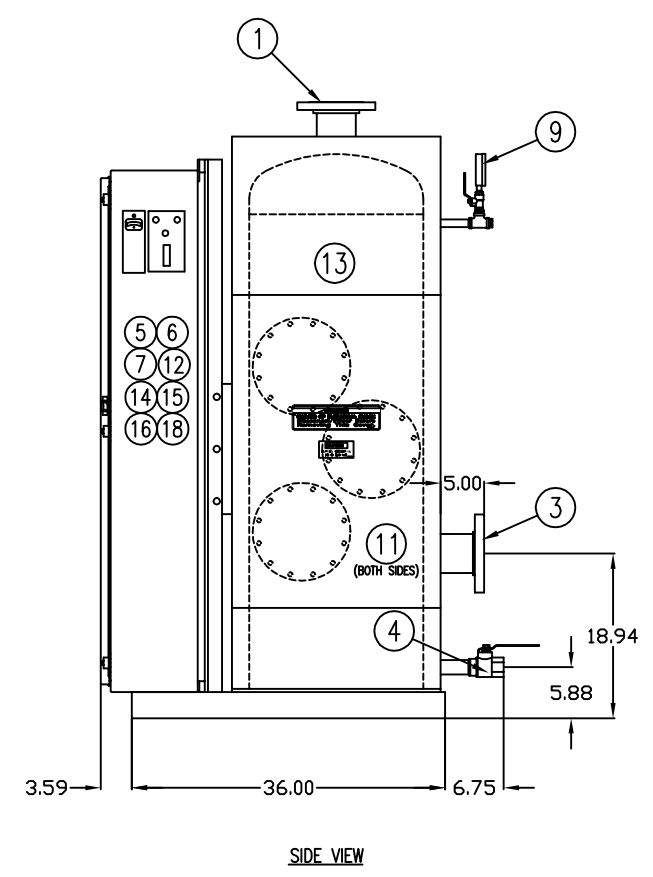
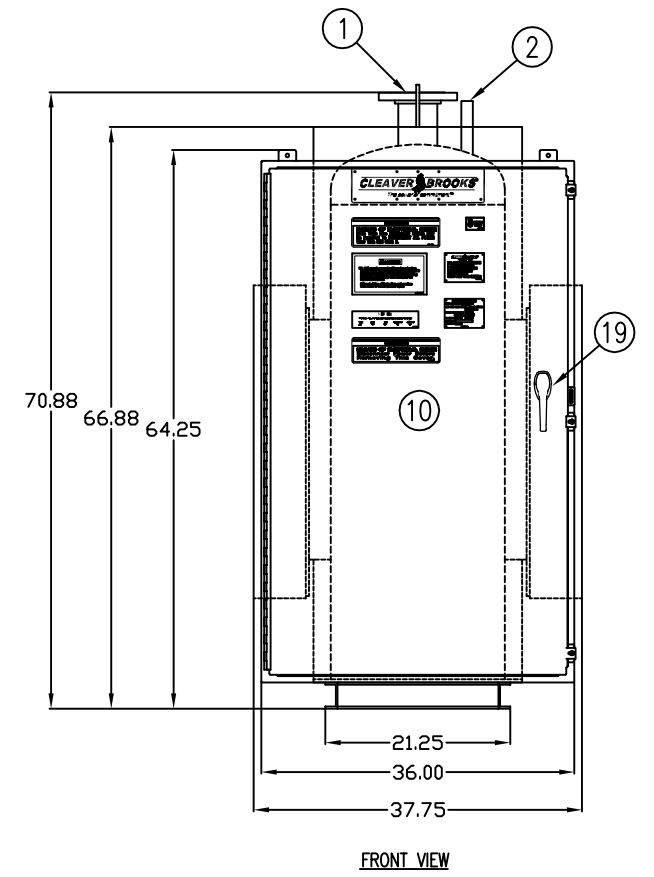
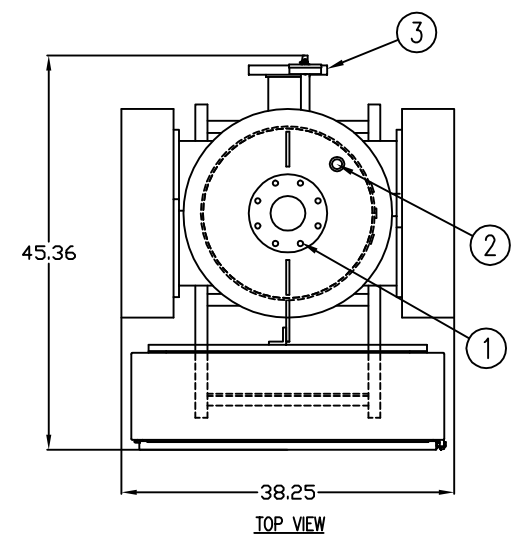


THIS DRAWING IS PROPERTY OF CLEAVER-BROOKS, INC. IT IS SUBJECT TO CHANGE WITHOUT NOTICE, AND IS NOT TO BE COPIED OR USED IN ANY WAY DETRIMENTAL TO THE COMPANY. SUGGESTIONS AND INFORMATION CONTAINED ON THIS DRAWING ARE NOT INTENDED TO SUPPLANT LOCAL CODES.

4 | 3 | 2 | 1



FOR ELEMENT REMOVAL AND DOOR SWING

ITEM	DESCRIPTION/MATERIAL
1	OUTLET - 4.0" 150# R.F. FLANGE
2	SAFETY VALVE - (1) @ 160 PSI
3	RETURN/FEEDWATER - 4.0" 150# R.F. FLANGE
4	BLOWDOWN/DRAIN VALVE - 1.25 NPS
5	TEMPERATURE CONTROLLER - HIGH LIMIT
6	TEMPERATURE CONTROLLER - OPERATING LIMIT
7	TEMPERATURE CONTROLLER - MODULATING LIMIT
8	N/A
9	PRESSURE GAUGE
10	ELECTRICAL PANEL ENTRANCE DOOR
11	ELEMENT ACCESS PANEL
12	POWER SWITCH WITH PILOT LIGHT(S)
13	LOW WATER CUTOFF - WARRICK PROBE
14	N/A
15	DIGITAL TEMPERATURE READOUT
16	STEP LIGHTS (3 STEPS @ 72 KW)(5 STEPS @ 36)

NOTES:

- 1) Boiler to be constructed per ASME Boiler and Pressure Vessel Code, Section IV, "H" stamped and National Board registered.
- 2) Boiler to comply with NEC and UL requirements.
- 3a) Vessel is to be wrapped with 2" insulation
- c) Jacket enclosure is to be lined with one layer of insulation.

**CAUTION**  
 DIMENSIONS SHOWN ARE APPROXIMATE AND SHOULD NOT BE USED IN RESTRICTIVE LAYOUTS OR TO PREFABRICATE ASSEMBLIES UNLESS CLEAVER-BROOKS HAS BEEN CONSULTED. IT IS STRONGLY RECOMMENDED THAT THE CUSTOMER REQUEST AS-BUILT CERTIFIED DRAWINGS FOR THESE CASES.  
 BOILER MAY BE SHOWN WITH OPTIONAL EQUIPMENT IN LUEI OF STANDARD COMPONENTS.

REVISIONS	<b>ELECTRICAL SPECIFICATIONS</b>
	PRESSURE: DESIGN <u>160</u> HW KW <u>360</u> AT <u>230</u> / <u>3</u> / <u>50</u> <u>72</u> ELEMENTS AT <u>5</u> KW <u>75</u> WSI INCOLOY RELIEF VALVE SET PRESSURE <u>160</u> PSI

SAMPLE	<b>DIMENSIONAL DRAWING</b>
	SHT 01 OF 01

SCALE <b>N.T.S.</b>	<b>CLEAVER-BROOKS</b> <i>The power of commitment.™</i>				
DATE <b>5/6/10</b>	WB	201	360	160HW	GALLONS
DRAWN	TYPE	SIZE	KW	PRESSURE	NO
SIZE	380	3	50	3	INSURANCE
	VOLTS	PHASE	HERTZ	WIRE	
	DRWG. NO.	<b>SAMPLE</b>			<b>00</b>

D  
C  
B  
A