

THIS DRAWING IS PROPERTY OF CLEAVER-BROOKS, INC. IT IS SUBJECT TO CHANGE WITHOUT NOTICE, AND IS NOT TO BE COPIED OR USED IN ANY WAY DETRIMENTAL TO THE COMPANY. SUGGESTIONS AND INFORMATION CONTAINED ON THIS DRAWING ARE NOT INTENDED TO SUPPLANT LOCAL CODES.

4

3

2

1

ITEM	DESCRIPTION/MATERIAL
1	DRAIN VALVE - 1.5 NPS (1)
2	WATER RETURN - 6.0" 150# FF FLG
3	TEMP. GAUGE
4	RELIEF VALVE - 1-1/2" X 1-1/2", 125PSI
5	WATER SUPPLY - 6.0" 150# FF FLG
6	LOW WATER CUTOFF
7	CONTROL PANEL ENTRANCE
8	PILOT/POWER SWITCH
9	ELEMENT ACCESS PANEL
10	EXPANSION TANK OPENING - 1.0 NPS
11	DISCONNECT SWITCH - NON-FUSED

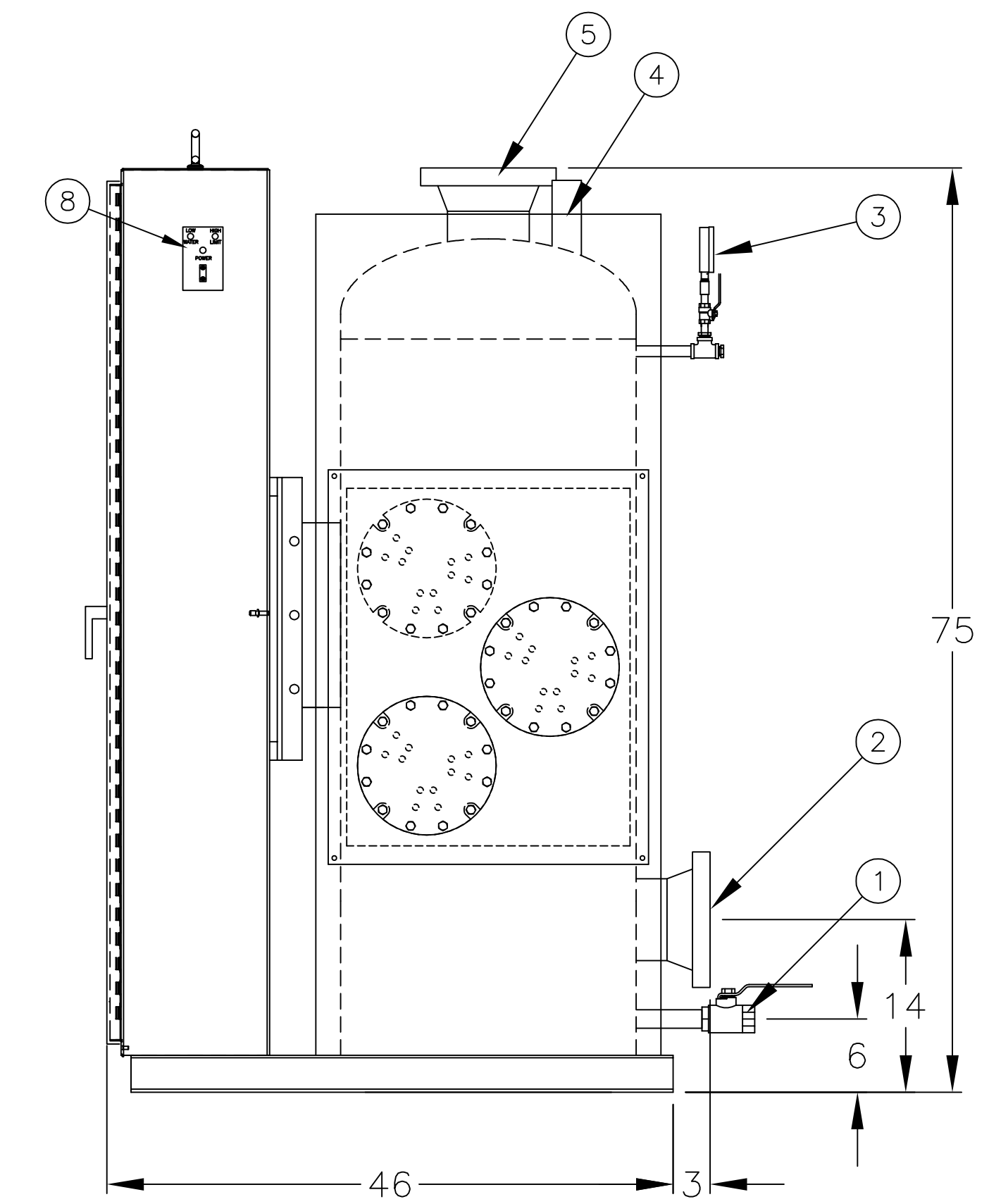
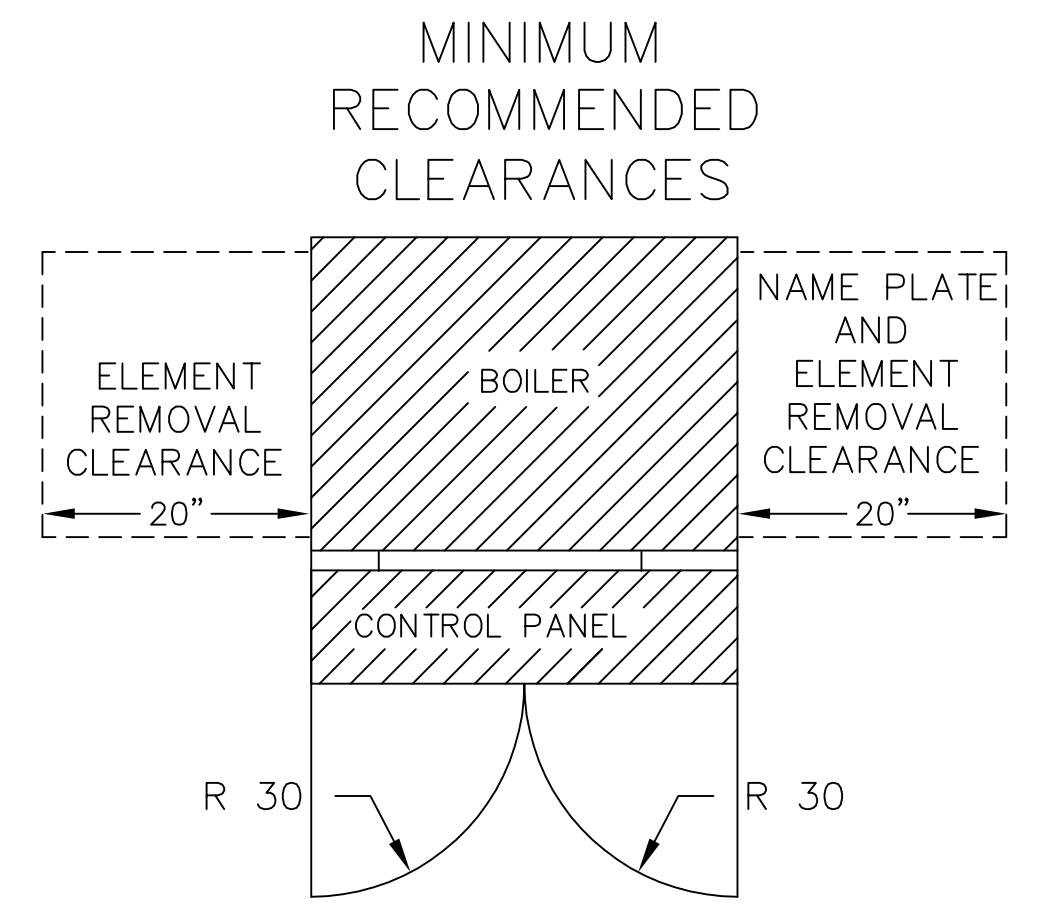
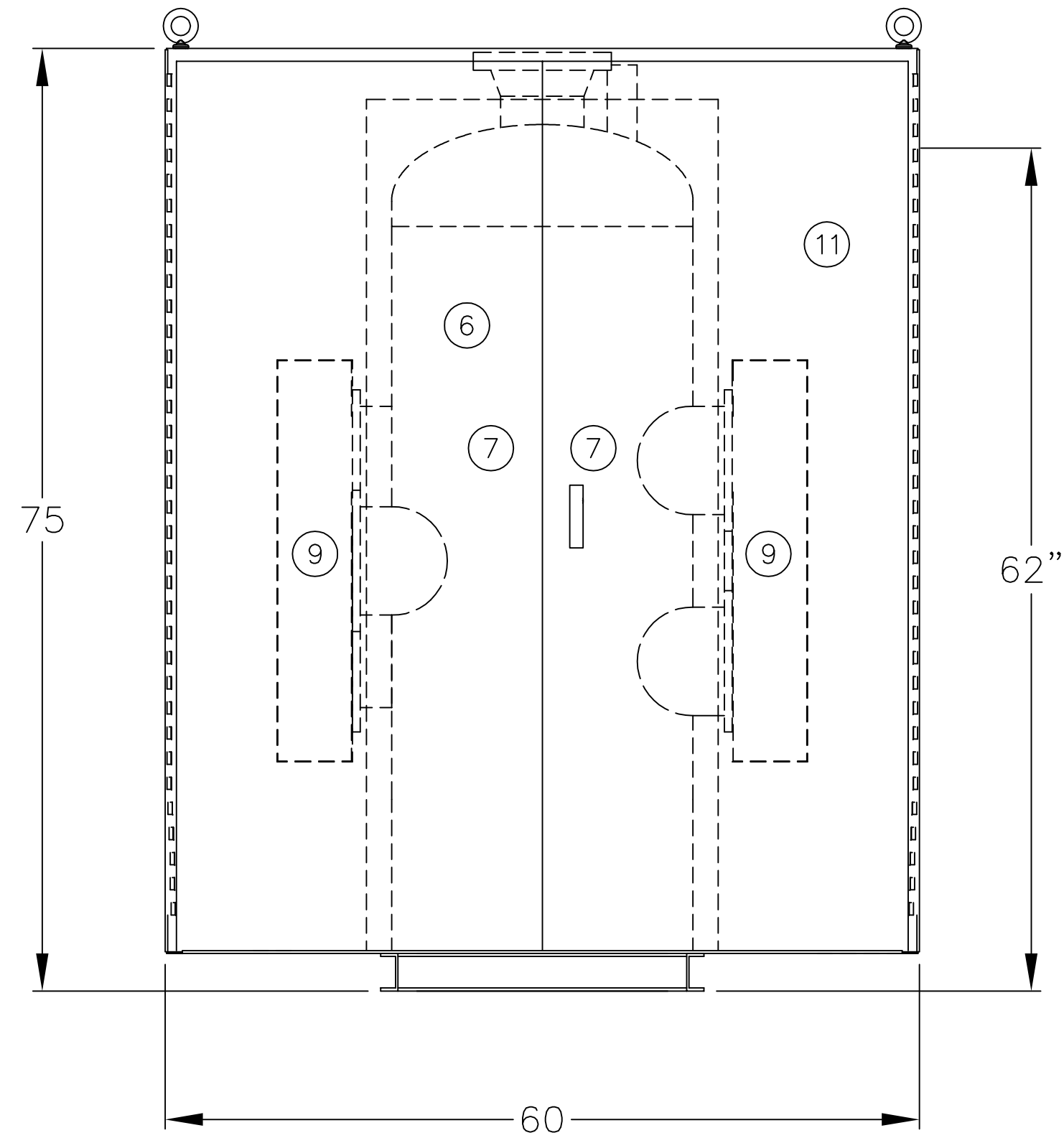
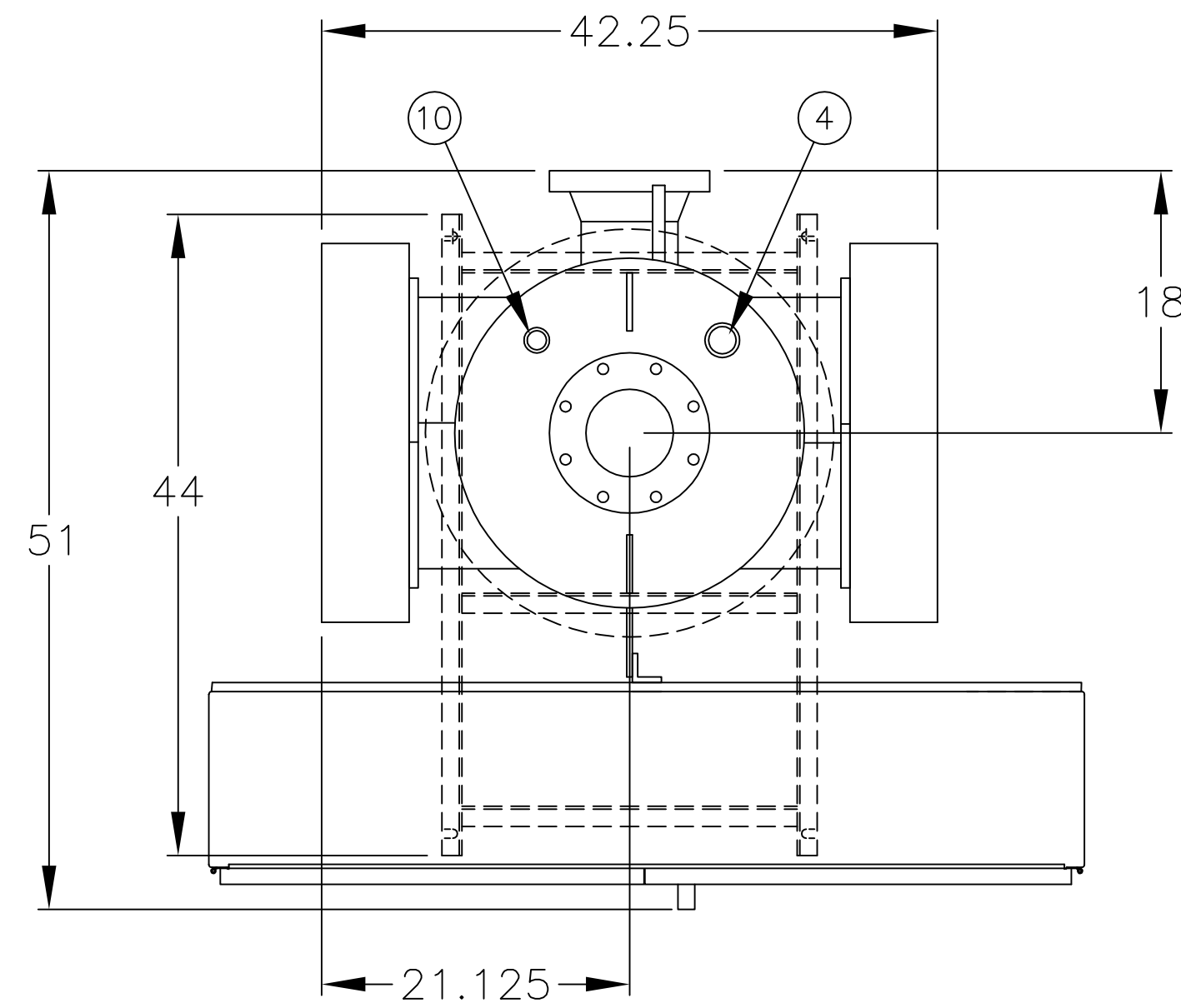
NOTES:

- 1) Boiler to be constructed per ASME Boiler and Pressure Vessel Code, Section IV, "H" stamped and National Board registered.
- 2) Boiler to comply with NEC, CSD-1
- 3) Vessel is to be wrapped with one layer of standard 2" fiberglass insulation.

CAUTION

DIMENSIONS SHOWN ARE APPROXIMATE AND SHOULD NOT BE USED IN RESTRICTIVE LAYOUTS OR TO PREFABRICATE ASSEMBLIES UNLESS CLEAVER-BROOKS HAS BEEN CONSULTED. IT IS STRONGLY RECOMMENDED THAT THE CUSTOMER REQUEST AS-BUILT CERTIFIED DRAWINGS FOR THESE CASES.

BOILER MAY BE SHOWN WITH OPTIONAL EQUIPMENT IN LUEI OF STANDARD COMPONENTS.



REVISIONS	SPECIFICATIONS
	PRESSURE: DESIGN <u>160</u> MAX OPER <u>125</u> F° KW <u>630</u> AT <u>480</u> / <u>3</u> / <u>60</u> <u>63</u> ELEMENTS AT <u>10</u> KW <u>75</u> WSI INCOLOY RELIEF VALVE SET PRESSURE <u>60</u> PSI

SAMPLE	DIMENSIONAL DRAWING
	SHT 01 OF 01

SCALE N.T.S.
DATE 5/18/09
DRAWN
SIZE

The power of commitment.™

WB TYPE	241 SIZE	630 KW	160HW PRESSURE	GALLONS NO INSURANCE
480 VOLTS	3 PHASE	60 HERTZ	3 WIRE	

DRWG. NO. SAMPLE 01

D
C
B
A