

THIS DRAWING IS PROPERTY OF CLEAVER-BROOKS, INC. IT IS SUBJECT TO CHANGE WITHOUT NOTICE, AND IS NOT TO BE COPIED OR USED IN ANY WAY DETRIMENTAL TO THE COMPANY. SUGGESTIONS AND INFORMATION CONTAINED ON THIS DRAWING ARE NOT INTENDED TO SUPPLANT LOCAL CODES.

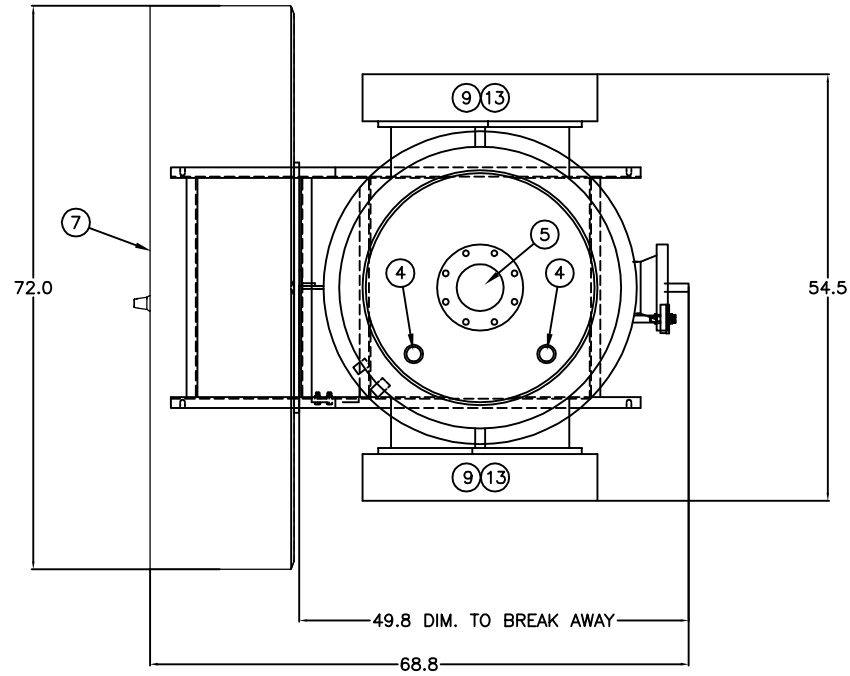
4

3

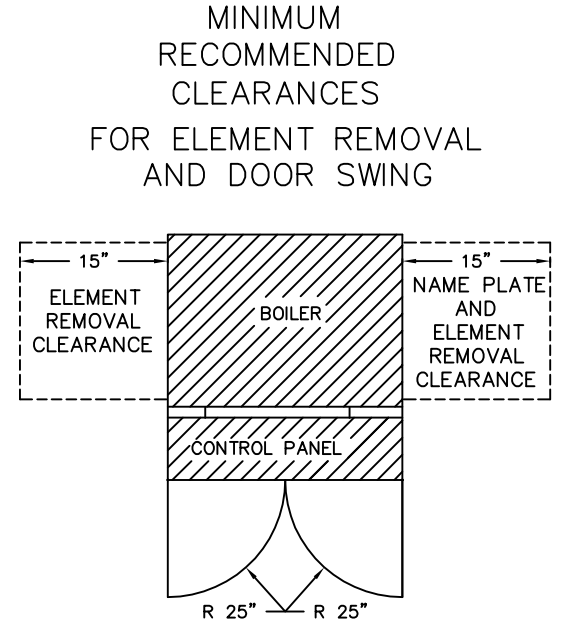
2

1

ITEM	DESCRIPTION/MATERIAL
1	DRAIN VALVE – 1.5 NPS (1)
2	INLET – 6.0" 150# FF FLG
3	TEMPERATURE GAUGE
4	2 RELIEF VALVE – SET AT 125 LB (SHIPPED LOOSE)
5	OUTLET – 6.0" 150# FF FLG
6	LOW WATER CUTOFF – WARRICK PROBE MR
7	CONTROL PANEL ENTRANCE
8	PILOT/POWER SWITCH
9	ELEMENT ACCESS PANEL
10	ALARM BELL
11	WATER FLOW SWITCH (SHIPPED LOOSE)
12	MANWAY
13	11 STEPS @ 108kW & 1 SCR @ 108kW
14	3 PHASE DIGITAL METER



TOP VIEW



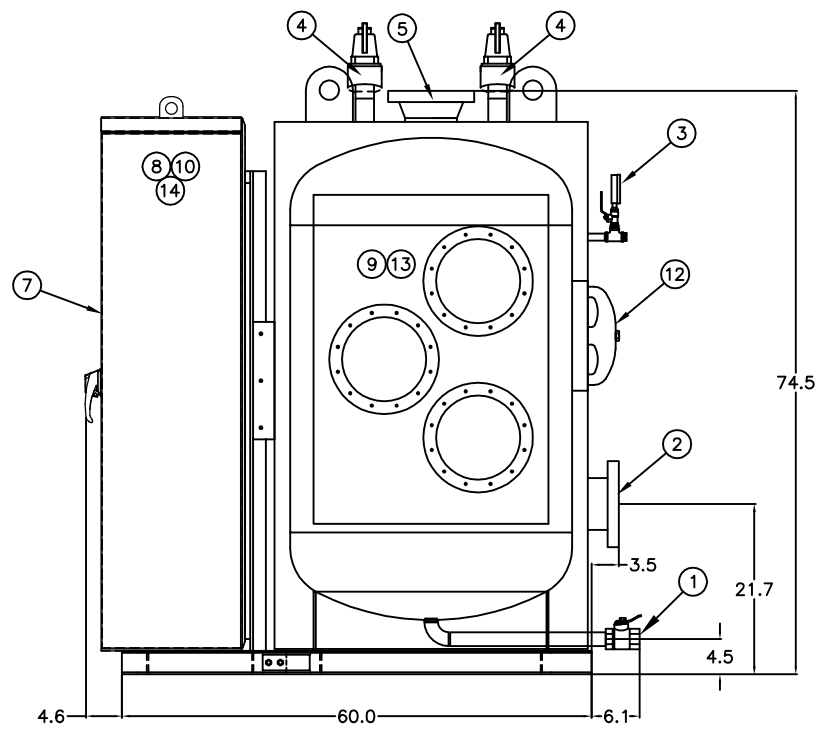
NOTES:

- 1) Boiler to be constructed per ASME Boiler and Pressure Vessel Code, Section IV, "H" stamped and National Board registered with cULus label
- 2) Boiler to comply with NEC, CSD-1
- 3) Vessel is to be wrapped with one layer of standard 2" filberglass insulation.
- 4) Break away panel provided. All wires to be disconnected at elements & devices. Each wire is to be numbered clearly for ease of rewiring in the field.

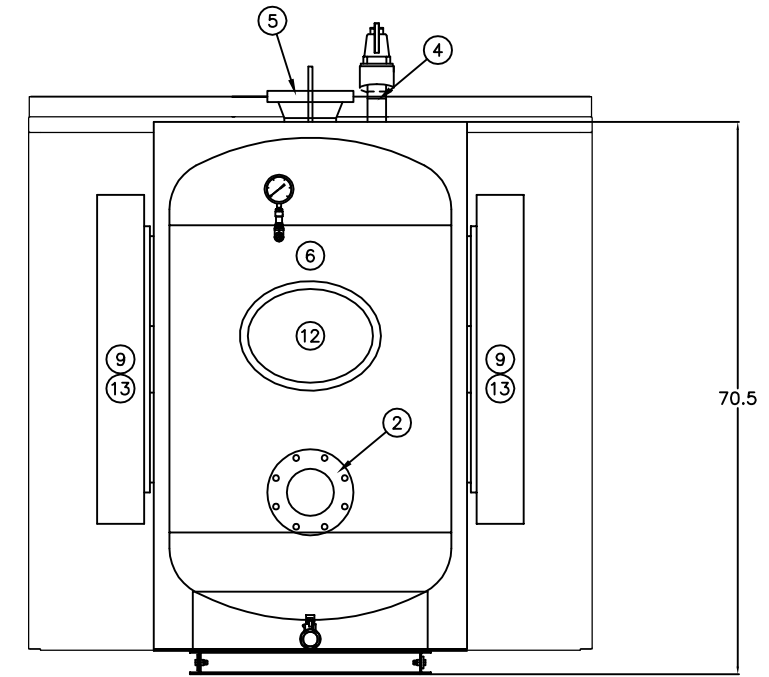
CAUTION

DIMENSIONS SHOWN ARE APPROXIMATE AND SHOULD NOT BE USED IN RESTRICTIVE LAYOUTS OR TO PREFABRICATE ASSEMBLIES UNLESS CLEAVER-BROOKS HAS BEEN CONSULTED. IT IS STRONGLY RECOMMENDED THAT THE CUSTOMER REQUEST AS-BUILT CERTIFIED DRAWINGS FOR THESE CASES.

BOILER MAY BE SHOWN WITH OPTIONAL EQUIPMENT IN LUEI OF STANDARD COMPONENTS.



SIDE VIEW



BACK VIEW

REVISIONS	SPECIFICATIONS
	PRESSURE: DESIGN <u>160</u> MAX OPER <u>250</u> F° KW <u>1296</u> AT <u>600</u> / <u>3</u> / <u>60</u> <u>108</u> ELEMENTS AT <u>12</u> KW <u>75</u> WSI INCOLOY RELIEF VALVE SET PRESSURE <u>125</u> PSI

SAMPLE	DIMENSIONAL DRAWING
	SHT 01 OF 01

SCALE N.T.S.
DATE 12/3/09
DRAWN
SIZE

CLEAVER BROOKS
The power of commitment.™

WB TYPE 600 VOLTS	SIZE 3 PHASE	KW 1296	PRESSURE 60 HERTZ	160HW 3 WIRE	GALLONS NO INSURANCE
DRWG. NO. SAMPLE					01

D
C
B
A