

Boiler-Matic 3000/4000 Boiler Controllers



The HyDAC™ Boiler-Matic 3000 and 4000 Controllers optimize boiler efficiency by sampling surface blowdown water either intermittently, at operator-selected intervals (with the Boiler-Matic 3000) or continuously (with the Boiler-Matic 4000), measuring the conductivity of the boiler water. The Boiler-Matic 3000 maintains desired conductivity levels by closing the blowdown valve when conductivity is below setpoint, and keeping the blowdown valve open if conductivity gets too high, the BM3000 repeats the sampling schedule until desired conductivity is reached. The Boiler-Matic 4000 samples continuously, closing the blowdown valve when conductivity is below desired setpoint, and opening it when conductivity is too high. The blowdown valve is kept open until desired setpoint is reached.

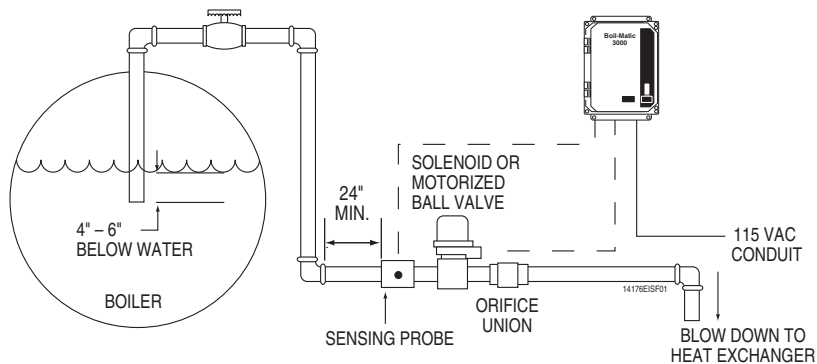
KEY BENEFITS

- Controls concentration of Total Dissolved Solids (TDS)
- Maximizes boiler efficiency by maintaining optimal concentration levels
- Reliable, solid-state electronics
- Nema 4X enclosure and lockable viewing door

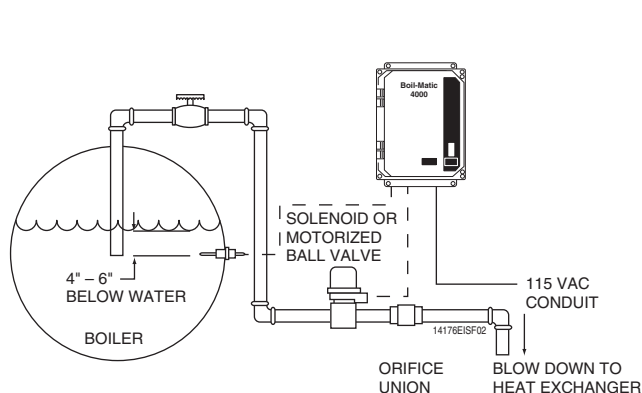
Dwg. # 14176 00, Rev. A

HyDAC®

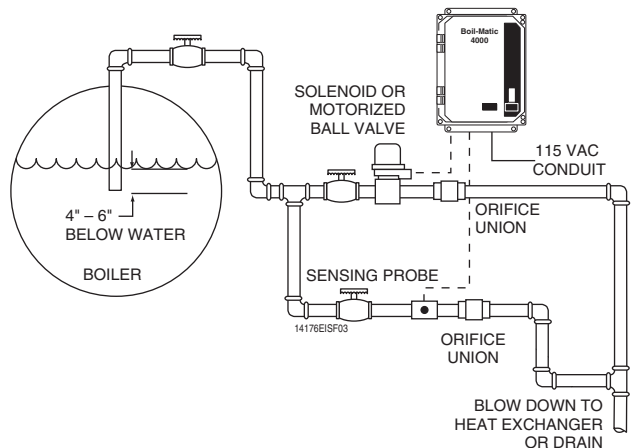
BOILER-MATIC 3000/4000 INSTALLATIONS



Boiler-Matic 3000. Typical Installation



Boiler-Matic 4000. Probe In-Boiler Application



Boiler-Matic 4000. Probe In-Line Application

SPECIFICATIONS

SIZE

Height	Width	Depth
10.0	8.0	4.0 inches
25.0	20.0	10.0 centimeters

WEIGHT

- 5.83 lbs (2.64 kgs), Boiler-Matic 3000 or 4000 alone
- 7.43 lbs (3.48 kgs) with Flow Through Plumbing Assembly

ENCLOSURE

Nema 4X weatherproof. See-through door with padlockable hasp. (4) 7/8" diameter holes provided for 1/2" conduit connections: blowdown valve, AC power, probe and optional electrical device.

ENVIRONMENT

TEMPERATURE

40° to 140°F (4° to 60°C)

HUMIDITY

0 to 100% R.H. Non-condensing

INPUT POWER

115 VAC, 50/60 Hz, 10 Amps

OUTPUT/CONTROL

115 VAC, 50/60 Hz, 10 Amps maximum combined load/Pre-wired for 2 or 3 wire blowdown valve

DRIFT

Less than 0.25% per month

ACCURACY

+/- 400 Microsiemens

DISPLAY

LED Indicators: Power, Bleed and Conductivity Calibration

RANGE

0-7000 Microsiemens/cm

ORDERING INFORMATION

Item # Description

- 059789 BM3000 (120 VAC)
- 090111 BM3000 (240 VAC)
- 059788 BM4000 (120 VAC)
- 034756 Solenoid Valve Assembly (probe, valve, strainer, orifice union)
- 034757 Motorized Valve Assembly
- 028448 Electric Solenoid Valve Assembly, rated at 250psi
- 051642 Probe, Rod, and Bushing Assembly, rated at 600psi
- 059849 Conductivity Probe and Tee Assembly
- 051644 12" Extended Probe Assembly (BM4000, Mounts directly into boiler)
- 031211 Motorized Valve, 3/4" (valve only)
- 027042 Asco Solenoid Valve, 3/4" (valve only)
- 028456 Magnatrol Valve, 3/4" (valve only)
- 015300 Orifice Union Kit (includes 4 orifice plates and union)



Beta Technology, Inc
2841 Mission Street
Santa Cruz • CA
U.S.A. • 95060

TEL • 831 • 426 • 0882
TEL • 800 • 858 • 2382
FAX • 831 • 423 • 4573
FAX • 800 • 221 • 8416
TEL • 800 • 468 • 4893 | Tech Support
sales@beta-technology.com

Beta Technology, Inc
4 Firway, Dallow Road
Luton LU1 1TR
United Kingdom

Freephone • 0800 • 052 • 47261
Tel • +44(0) • 1582 • 528600 | Customer Service
Fax • +44(0) • 1582 • 528111
Freephone • 0800 • 052 • 4726 | Tech Service
VAT REG.NO.BG.354 - 09975 - 44
europe.sales@beta-technology.com

Online Ordering: <http://www.beta-technology.com>