

MODEL CFW
ClearFire Hot Water Boiler
400-2400 MBH



Dimensions and Ratings

Figure 1. CFW Dimension Drawing

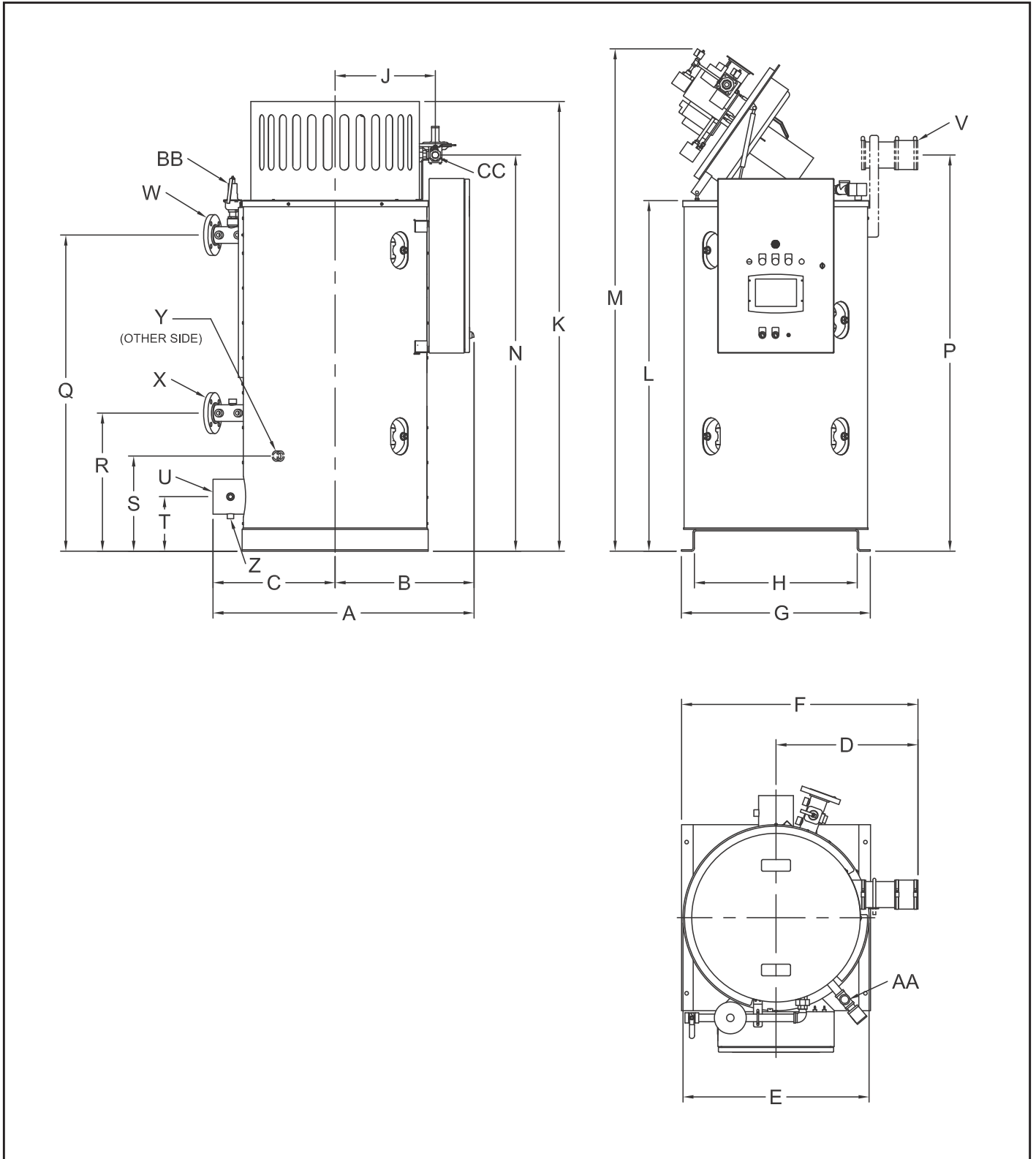


Table 1. CFW Dimensions

		BOILER SIZE						
DIMENSIONS		400	500	750	1000	1500	2000	2400
Overall Length	A	45	45	52 1/2	52 1/2	54	60 1/2	60 1/2
Centerline to Boiler Front	B	24	24	27 3/4	27 3/4	29	32	32
Centerline to Stack Outlet	C	21	21	24 3/4	24 3/4	25 1/2	28 1/2	28 1/2
Centerline to Combustion Air Inlet	D	24 1/2	24 1/2	24 1/2	24 1/2	27	37 1/4	37 1/4
Boiler O.D.	E	32	32	39	39	41	47	47
Overall Width	F	40 1/2	40 1/2	44	44	47 1/2	60 3/4	60 3/4
Base, Outside of Base	G	32 1/2	32 1/2	39 1/2	39 1/2	41 1/2	48	48
Base, Inside of Base	H	28	28	35	35	37	43 1/2	43 1/2
Centerline to Gas Inlet	J	17 1/4	17 1/4	19 1/4	19 1/4	20 1/4	22	22
Overall Height	K	77	83	77	83	89	89	95
Vessel Height	L	60	66	60	66	71	68	74
Burner Door Clearance (Open)	M	85 1/2	92	85 1/2	91 1/2	101	102	108
Floor to Gas Inlet	N	68	74	68	74	80 1/2	80	86
Floor to Air Inlet	P	68	74	68	74	80 1/2	79	85
Floor to Supply Connection	Q	54	60	55	61	66	62	68
Floor to Return Connection	R	24	31	26	26	33	32 1/2	35 1/2
Floor to Drain	S	16	16	15	15	18	20	20
Floor to Stack Outlet	T	9	9	9	9	10	11	11
BOILER CONNECTIONS								
Flue/Stack, Nominal OD	U	6	6	6	6	8	10	10
Sealed Combustion, Air	V	4	4	4	4	6	8	8
Supply Water, Flange	W	2 1/2	2 1/2	2 1/2	2 1/2	3	4	4
Return Water, Flange	X	2 1/2	2 1/2	2 1/2	2 1/2	3	4	4
Boiler Drain	Y	1	1	1	1	1	1 1/4	1 1/4
Condensate Drain	Z	1/2	1/2	1/2	1/2	1/2	1/2	1/2
Air Vent	AA	1	1	1	1	1	1	1
Safety Valve, 125# setting	BB	1	1	1	1	1	1	1
Gas Train	CC	1	1	1	1	1 1/2	1 1/2	1 1/2
WEIGHTS - LBS								
Shipping Weight (125#)		1550	1700	2100	2300	2900	3400	3800
Operating Weight (125#)		2205	2460	3260	3630	4330	5105	5780

Note: Dimensions subject to change.

Table 2. CFW Ratings

RATINGS							
Max. Input @ Sea Level to 2000' (Btu/hr)	400,000	500,000	750,000	1,000,000	1,500,000	2,000,000	2,400,000
*Output @ Sea Level to 2000' (Btu/hr)	344,000	430,000	645,000	860,000	1,290,000	1,720,000	2,064,000
Max. Amp. Draw Fan	4.0	4.0	4.0	4.0	8.5	12.0	12.0
Blower Motor Size (Watts)	335	335	335	335	750	1,200	1,200
Fireside Heating Surface (ft ²)	86	105	133	164	263	319	395

*Output based on 86% efficiency with 140°F return and 180°F supply water temperature