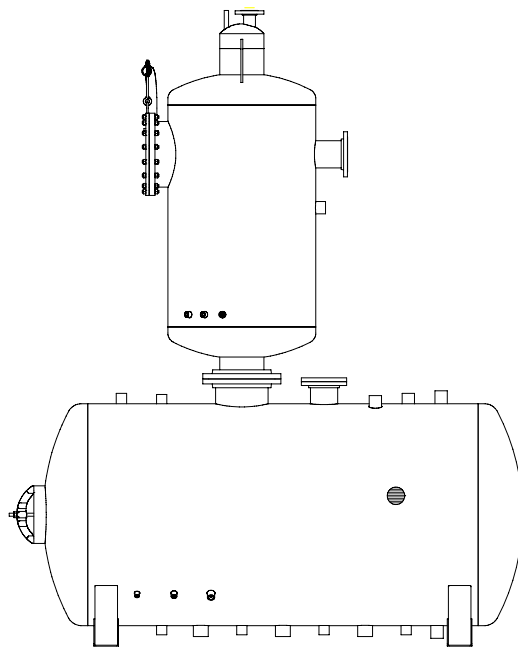


TRAYMASTER SERIES TRAY DEAERATORS



Dimensions and Ratings

Figure 1. Dimension Diagram, Traymaster Deaerator

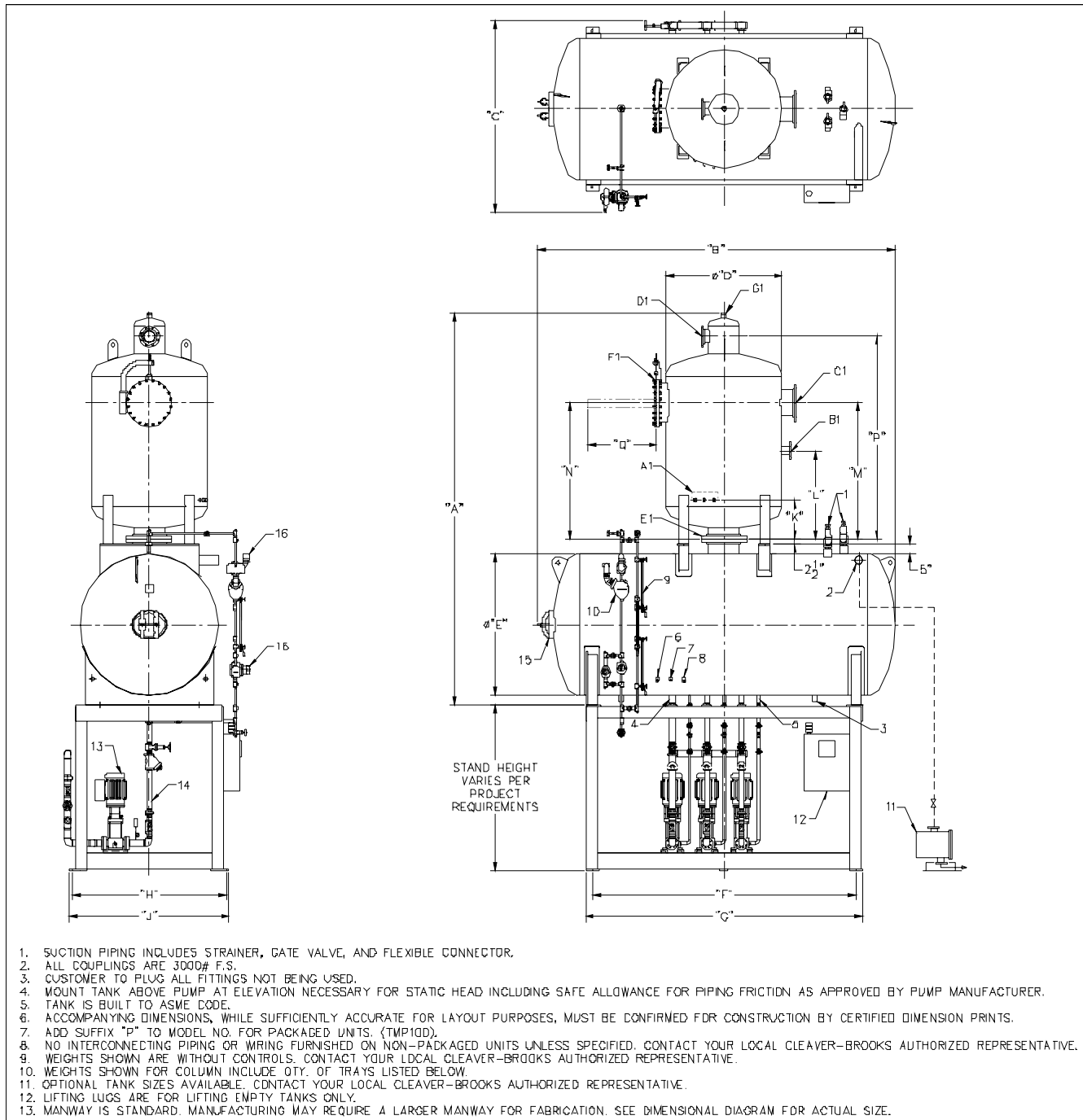


Table 1. Dimensions, TM030-TM125

TRAYMASTER DETAILS AND DIMENSIONS						
MODEL NUMBER		TM030	TM045	TM070	TM100	TM125
A	HEIGHT ABOVE STAND	143	154	169	179-1/2	197-1/2
B	OVERALL LENGTH	120-1/2	133	137	160	168
C	OVERALL WIDTH	75	78	85	91	97
D	COLUMN DIAMETER	36	36	48	54	54
E	STORAGE TANK DIA.	42	48	60	66	72
F	C/L TO C/L BOLT HOLES	79-1/2	95	95	112-1/2	112-1/2
G	STAND LENGTH	84-1/2	101	101	119-1/2	119-1/2
H	C/L TO C/L BOLT HOLES	55	59	68	73	80
J	STAND WIDTH	58	62	71	76	83
K	TEMP./PRESS. SENSOR	15-5/8	15-5/8	18	23-7/8	18-7/8
L	HIGH TEMP. RETURN	41-5/8	39-5/8	40	40-7/8	52-3/4
M	STEAM INLET	54-5/8	52-5/8	55	55-7/8	67-3/4
N	DAVITED MANWAY	54-5/8	52-5/8	55	55-7/8	67-3/4
P	WATER INLET	SEE "A"	81-3/8	84-1/4	87-1/8	99-1/8
Q	TRAY CLEARANCE	18	24	36	36	36
TRAY QTY.		20	20	20	30	36
COLUMN WEIGHT (LB)		1600	1800	2300	3000	3300
STORAGE TANK CAPACITY (GAL.)		600	900	1400	2000	2500
STORAGE TANK WEIGHT (DRY) (LB)		1500	1800	2400	3800	4300
STORAGE TANK WEIGHT (FLOODED) (LB)		6500	9300	14000	20500	25100
COLUMN CONNECTIONS						
MODEL NUMBER		TM030	TM045	TM070	TM100	TM125
A1	TEMP./PRESS. SENSOR	3/4" NPT	3/4" NPT	3/4" NPT	3/4" NPT	3/4" NPT
B1	HIGH TEMP. RETURN	2" NPT	2" NPT	2-1/2" NPT	3" NPT	3" NPT
C1	STEAM INLET	6"-150# RFSO	8"-150# RFSO	8"-150# RFSO	10"-150# RFSO	10"-150# RFSO
D1	WATER INLET	2-1/2"-150# RFSO	3"-150# RFSO	3"-150# RFSO	4"-150# RFSO	4"-150# RFSO
E1	DOWNCOMER	10"-150# FFSO	12"-150# FFSO	14"-150# FFSO	16"-150# FFSO	16"-150# FFSO
F1	MANWAY	16"	18"	18"	20"	20"
G1	VENT PIPE	3/4" NPT	1-1/2" NPT	1-1/2" NPT	2" NPT	2" NPT

Table 2. Dimensions, TM140-TM250

TRAYMASTER DETAILS AND DIMENSIONS						
MODEL NUMBER		TM140	TM175	TM200	TM225	TM250
A	HEIGHT ABOVE STAND	200	218-1/2	218-1/2	232	232
B	OVERALL LENGTH	186	188	197	190-1/2	195-1/2
C	OVERALL WIDTH	97	107-1/2	107-1/2	119	119
D	COLUMN DIAMETER	60	72	72	72	72
E	STORAGE TANK DIA.	72	84	84	96	96
F	C/L TO C/L BOLT HOLES	137	135-1/2	137	127-1/2	137
G	STAND LENGTH	144	142-1/2	144	134-1/2	144
H	C/L TO C/L BOLT HOLES	80	88-1/2	88-1/2	99	99
J	STAND WIDTH	83	91-1/2	91-1/2	102	102
K	TEMP./PRESS. SENSOR	20	21-7/8	21-7/8	21-7/8	24-3/8
L	HIGH TEMP. RETURN	45	44-7/8	44-7/8	44-7/8	47-3/8
M	STEAM INLET	69-1/2	69-7/8	69-7/8	69-7/8	72-3/8
N	DAVITED MANWAY	69-1/2	69-7/8	69-7/8	69-7/8	72-3/8
P	WATER INLET	103-1/4	107-1/8	107-1/8	108-1/8	109-5/8
Q	TRAY CLEARANCE	36	36	36	36	36
TRAY QTY.		42	42	56	65	70
COLUMN WEIGHT (LB)		3700	3700	5600	5800	6000
STORAGE TANK CAPACITY (GAL.)		2800	3500	4000	4500	5000
STORAGE TANK WEIGHT (DRY) (LB)		4700	6600	6900	7900	8100
STORAGE TANK WEIGHT (FLOODED) (LB)		28000	35800	40200	45400	49800
COLUMN CONNECTIONS						
MODEL NUMBER		TM140	TM175	TM200	TM225	TM250
A1	TEMP./PRESS. SENSOR	3/4" NPT	3/4" NPT	3/4" NPT	3/4" NPT	3/4" NPT
B1	HIGH TEMP. RETURN	4"-150# RFSO	6"-150# RFSO	6"-150# RFSO	6"-150# RFSO	8"-150# RFSO
C1	STEAM INLET	12"-150# RFSO	14"-150# RFSO	14"-150# RFSO	16"-150# RFSO	16"-150# RFSO
D1	WATER INLET	6"-150# RFSO	6"-150# RFSO	6"-150# RFSO	6"-150# RFSO	6"-150# RFSO
E1	DOWNCOMER	16"-150# FFSO	18"-150# FFSO	18"-150# FFSO	18"-150# FFSO	20"-150# FFSO
F1	MANWAY	20"	24"	24"	24"	24"
G1	VENT PIPE	2" NPT	2-1/2" NPT	2-1/2" NPT	3" NPT	3" NPT

Table 3. Dimensions, TM300-TM500

TRAYMASTER DETAILS AND DIMENSIONS						
MODEL NUMBER		TM300	TM350	TM400	TM450	TM500
A	HEIGHT ABOVE STAND	252	259	260-1/2	262-1/2	262-1/2
B	OVERALL LENGTH	198	205-1/2	246	258-1/2	304
C	OVERALL WIDTH	130	130	130	130	130
D	COLUMN DIAMETER	84	96	108	108	108
E	STORAGE TANK DIA.	108	108	108	108	108
F	C/L TO C/L BOLT HOLES	137	144	185	197	243
G	STAND LENGTH	144	151	192	204	250
H	C/L TO C/L BOLT HOLES	110	110	110	110	110
J	STAND WIDTH	113	113	113	113	113
K	TEMP./PRESS. SENSOR	24-1/4	27-1/2	28-3/4	28-3/4	28-3/4
L	HIGH TEMP. RETURN	41-1/4	43	44-1/4	40-1/4	40-1/4
M	STEAM INLET	68-1/4	70	71-1/8	71-1/4	71-1/8
N	DAVITED MANWAY	68-1/4	70	69-1/4	69-1/4	69-1/4
P	WATER INLET	112-3/8	119-3/8	102-5/8	120-5/8	119-5/8
Q	TRAY CLEARANCE	36	36	36	36	36
TRAY QTY.		84	98	120	132	144
COLUMN WEIGHT (LB)		7300	8500	10700	10900	11100
STORAGE TANK CAPACITY (GAL.)		6000	7000	8000	9000	10000
STORAGE TANK WEIGHT (DRY) (LB)		11000	11400	13200	13700	15700
STORAGE TANK WEIGHT (FLOODED) (LB)		61000	69700	79900	88700	99000
COLUMN CONNECTIONS						
MODEL NUMBER		TM300	TM350	TM400	TM450	TM500
A1	TEMP./PRESS. SENSOR	3/4" NPT	3/4" NPT	3/4" NPT	3/4" NPT	3/4" NPT
B1	HIGH TEMP. RETURN	8"-150# RFSO	8"-150# RFSO	10"-150# RFSO	10"-150# RFSO	10"-150# RFSO
C1	STEAM INLET	18"-150# RFSO	18"-150# RFSO	20"-150# RFSO	20"-150# RFSO	22"-150# RFSO
D1	WATER INLET	8"-150# RFSO	8"-150# RFSO	8"-150# RFSO	8"-150# RFSO	10"-150# RFSO
E1	DOWNCOMER	24"-150# FFSO	30"-150# FFSO	36"-150# FFSO	36"-150# FFSO	36"-150# FFSO
F1	MANWAY	28"	28"	36"	36"	36"
G1	VENT PIPE	3" NPT	3" NPT	3" NPT	4" NPT	4" NPT

Table 4. Connections and Trim

CONNECTIONS AND TRIM	
MODEL NUMBER	TM030 - TM500
1	RELIEF VALVE SIZE
2	OVERFLOW SIZE
3	DRAIN SIZE
4	SUCTION SIZE
5	RECIRC.
6	THERMOMETER (3/4" NPT)
7	SAMPLE (1/2" NPT)
8	CHEM. FEED (1" NPT)
9	GAUGE GLASS ASSEMBLY
10	LEVEL CONTROLLER
11	OVERFLOW DRAINER (OPT)
12	CONTROL PANEL (OPT)
13	FEED PUMP/MOTOR (OPT)
14	SUCTION PIPING (OPT)
15	MANWAY 12" X 16"
16	LEVEL ALARMS (OPT)
17	VACUUM BREAKER

CONTACT YOUR LOCAL CLEAVER-BROOKS AUTHORIZED REPRESENTATIVE