



MODEL CEW OHIO SPECIAL BOILERS 100 - 225 HP



Dimensions and Ratings



Table 1. CEW Ohio Steam Boiler Ratings

BOILER H.P.	100S	125S	150S	175S	200S	225S
BURNER MODEL	FP-3	FP-3	FP-3	FP-4	FP-4	FP-4
RATINGS - SEA LEVEL TO 1000 FT.						
Rated Capacity (lbs-steam/hr from and at 212 OF)	3450	4313	5175	6038	6900	7763
Btu Output (1000 Btu/hr)	3348	4184	5021	5858	6695	7532
APPROXIMATE FUEL CONSUMPTION AT RATED CAPACITY BASED ON NOMINAL 80% EFFICIENCY						
Light Oil gph (140,000 Btu/gal)	29.9	37.4	44.8	52.3	59.8	67.2
Gas CFH (1000 Btu)	4184	5230	6277	7323	8369	9415
Gas (Therm/hr)	41.8	52.3	62.8	73.2	83.7	94.1
POWER REQUIREMENTS - SEA LEVEL TO 1000 FT. (60 HZ)						
Blower Motor - Series 100/200	2	3	5	5	7 1/2	10
Blower Motor - Series 700	1 1/2	3	5	5	7 1/2	10
Air Compressor Motor (Oil only)	2	2	2	3	3	3
Circulating Oil Pump Motor hp (Oil only)	*	*	*	1/2	1/2	1/2
WEIGHTS						
Normal Water Capacity	7,430 lbs	7,430 lbs	7,430 lbs	8,293 lbs	8,293 lbs	8,293 lbs
Approximate Weight - 15 psig	10,311 lbs	10,311 lbs	10,311 lbs	11,150 lbs	11,150 lbs	11,150 lbs
Approximate Weight - 150 psig	12,558 lbs	12,558 lbs	12,558 lbs	13,515 lbs	13,515 lbs	13,515 lbs
Approximate Weight - 200 psig	13,632 lbs	13,632 lbs	13,632 lbs	14,465 lbs	14,465 lbs	14,465 lbs
Approximate Weight - 250 psig	15,079 lbs	15,079 lbs	15,079 lbs	16,029 lbs	16,029 lbs	16,029 lbs
* = Integral oil pump						
NOTES: #1 - All fractional hp motors will be single phase voltage; integral motors will be 3-phase voltage.						
#2 - For altitudes over 1000 ft. contact your local Cleaver-Brooks representative for verification of motor size(s).						

Figure 1. CEW Dimension Diagram

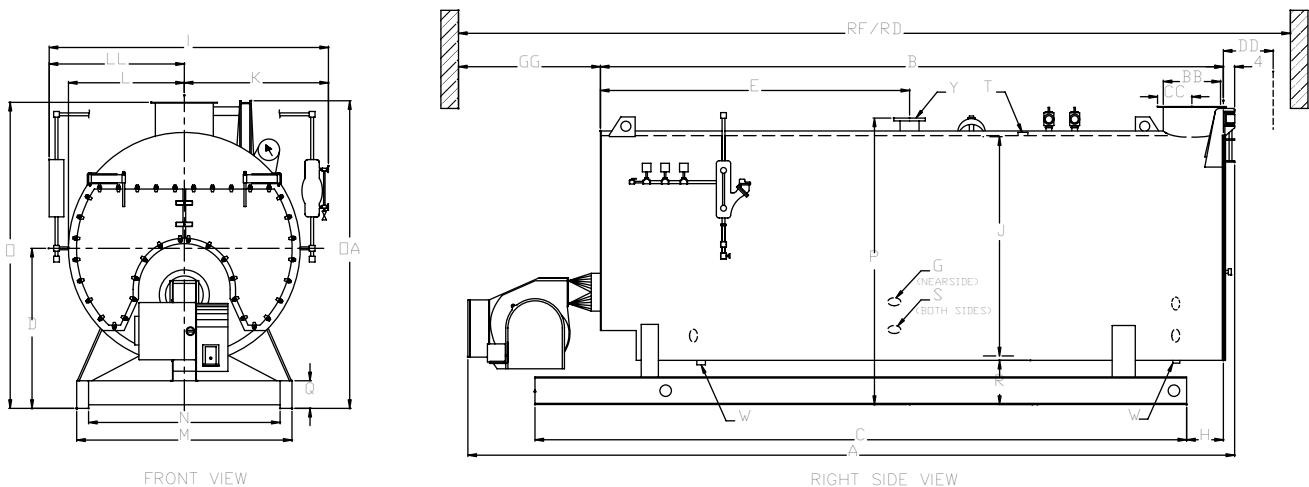


Table 2. CEW Ohio Steam Dimensions

	DIM	BOILER H.P.	
		100S-150S	175S-225S
LENGTHS			
Overall	A	207-1/2	"228-1/2"
Shell	B	157-3/8	"170-3/8"
Base Frame	C	174-7/8	"196-1/2"
Base Frame to Rear Flange	H	13-1/2	"13-1/2"
Flange to Steam Nozzle	E	63-7/8	"56-1/4"
WIDTHS			
Overall	I	85	"85"
I.D. Boiler	J	60	"60"
Center to Water Column	K	45	"45"
Center to Lagging	L	33	"33"
Center to Auxiliary LWCO	LL	40	"40"
Base Outside	M	52-1/2	"52-1/2"
Base Inside	N	44-1/2	"44-1/2"
HEIGHTS			
Base to Boiler Centerline	D	46	"46"
Base to Vent Outlet	O	85	"85"
Base to Rear Door Davit	OA	86-1/2	"86-1/2"
Base to Steam Outlet	P	82-3/8	"82-3/8"
Base Frame	Q	12	"12"
Base to Bottom Boiler	R	16	"16"
CONNECTIONS			
Chemical Feed	G	1	"1"
Feedwater Inlet (Both Sides)	S	1-1/2	"1-1/2"
Steam Nozzle (15 psig) 150 LB. FLG.	Y	8	"10"
Steam Nozzle (150 psig) 300 LB. FLG.	Y	4	"4"
Drain - Front & Rear (15 psig)	W	1-1/2	"2"
Blowdown-Front & Rear(150 psig)	W	1-1/2	"1-1/2"
Surface Blowoff (150 psig)	T	1	"1"
Vent Stack Diameter (Flanged)	BB	16	"16"
Flange to Center Vent	CC	10-1/8	"10-1/8"
MINIMUM CLEARANCES			
Rear Door Swing	DD	36	"36"
Tube Removal - Front Only	GG	124	"137"
MINIMUM BOILER ROOM LENGTH ALLOWING FOR DOOR SWING AND TUBE REMOVAL FROM:			
Front of Boiler	RF	318	"344"
Thru Window or Door	RD	276	"297"

NOTES:

- #1 - Accompanying dimensions, while sufficiently accurate for layout purposes, must be confirmed for actual option requirements.
- #2- Overall width may increase with the addition of electrical options due to control panel mounting location.

