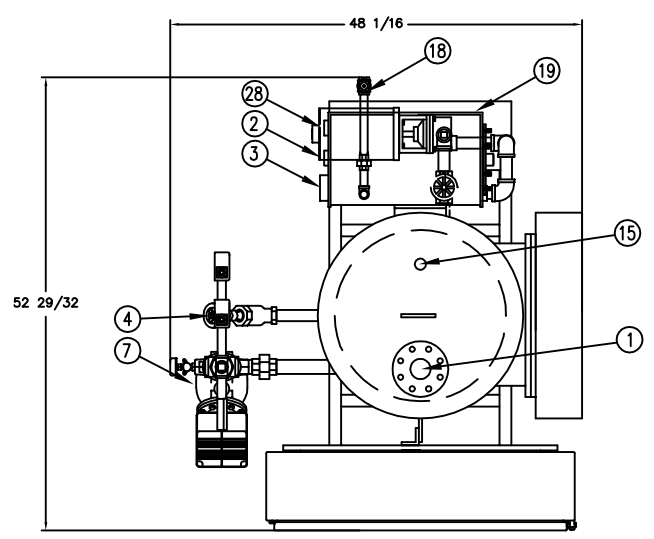
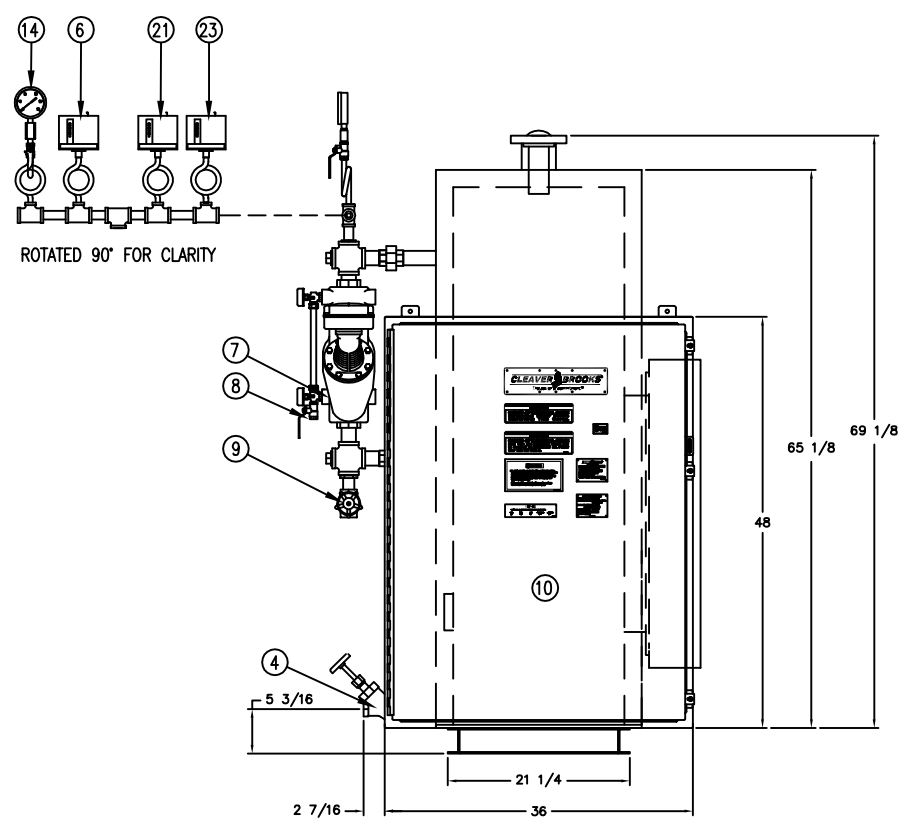
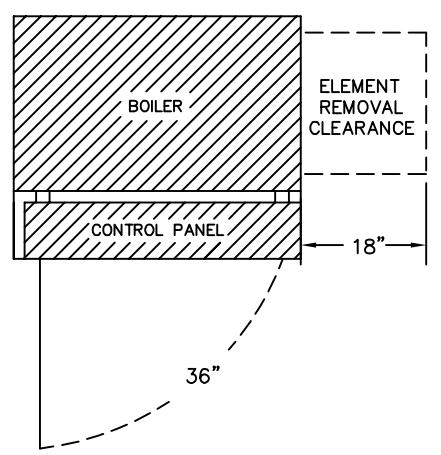
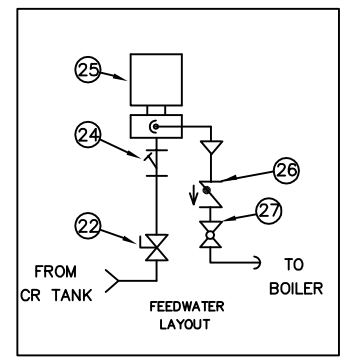


THIS DRAWING IS PROPERTY OF CLEAVER-BROOKS, INC. IT IS SUBJECT TO CHANGE WITHOUT NOTICE, AND IS NOT TO BE COPIED OR USED IN ANY WAY DETRIMENTAL TO THE COMPANY. SUGGESTIONS AND INFORMATION CONTAINED ON THIS DRAWING ARE NOT INTENDED TO SUPPLANT LOCAL CODES.

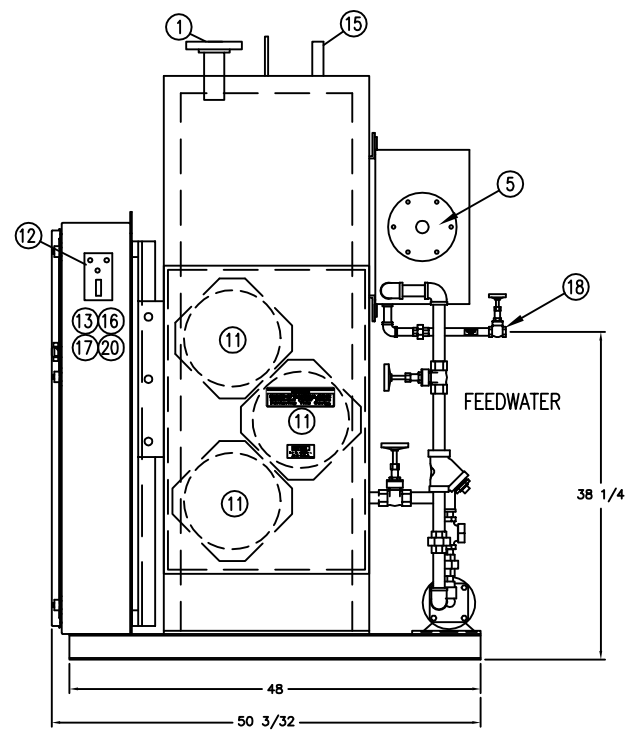
4 | 3 | 2 | 1



TOP VIEW



FRONT VIEW



SIDE VIEW

ITEM	DESCRIPTION/MATERIAL
1	STEAM OUTLET - 2.0 FLG
2	OVERFLOW - 1.0 NPS
3	RETURN - 2.0 NPS
4	BLOWDOWN VALVE - 1 NPS
5	FEEDWATER - 0.75 NPS
6	PRESSURE CONTROL - OPERATING LIMIT
7	WATER COLUMN - McDM #157
8	GAUGE GLASS BLOWDOWN - 0.25 NPS
9	WATER COLUMN BLOWDOWN - 0.75 NPS
10	ELECTRICAL PANEL ENTRANCE/DOOR
11	ELEMENT ACCESS PANEL
12	POWER SWITCH WITH PILOT LIGHT(S) POWER/HIGH WATER/LOW WATER
13	AUX. LWCO PROBE (NOT SHOWN)
14	PRESSURE GAUGE
15	SAFETY VALVE - (1) @ 150 PSI
16	PUMP SWITCH
17	HIGH PRESSURE LIGHT
18	DRAIN VALVE 0.5 NPS (CONDENSATE TANK)
19	INTEGRAL CONDENSATE RETURN TANK & PUMP SET
20	ALARM BELL 4" WITH SILENCER
21	PRESSURE CONTROL - HIGH LIMIT
22	VALVE, GLOBE, PUMP SUCTION, 1"
23	PRESSURE CONTROL - MODULATING LIMIT
24	STRAINER, WYE, PUMP SUCTION, 1"
25	PUMP 1/2HP
26	VALVE, SPRING CHECK, FEEDWATER, 1"
27	VALVE, GLOBE, FEEDWATER, 1"
28	VENT - 1"

NOTES:

- 1) Boiler to be constructed per ASME Boiler and Pressure Vessel Code, Section I, "S" stamped and National Board registered.
- 2) Boiler to comply with NEC and UL requirements.
- 3) Boiler to comply with CSD-1 requirements.
- 4) Vessel is to be wrapped with 2" insulation
- 5) Factory container provided

CAUTION
 DIMENSIONS SHOWN ARE APPROXIMATE AND SHOULD NOT BE USED IN RESTRICTIVE LAYOUTS OR TO PREFABRICATE ASSEMBLIES UNLESS CLEAVER-BROOKS HAS BEEN CONSULTED. IT IS STRONGLY RECOMMENDED THAT THE CUSTOMER REQUEST AS-BUILT CERTIFIED DRAWINGS FOR THESE CASES.
 BOILER MAY BE SHOWN WITH OPTIONAL EQUIPMENT IN LUEI OF STANDARD COMPONENTS.

REVISIONS	ELECTRICAL SPECIFICATIONS
	PRESSURE: DESIGN 150ST KW 150 AT 380 / 3 / 60 30 ELEMENTS AT 5 KW 75 WSI INCOLOY RELIEF VALVE SET PRESSURE 150 PSI

SAMPLE	DIMENSIONAL DRAWING
	SHT 01 OF 01

SCALE N.T.S.		 <i>The power of commitment.</i>					
DATE 3/2/10							
DRAWN		CR TYPE 380 VOLTS	SIZE 3 PHASE	150 KW 60 HERTZ	150ST PRESSURE 3 WIRE	GALLONS N/A	INSURANCE
SIZE		DRWG. NO. SAMPLE		00			