

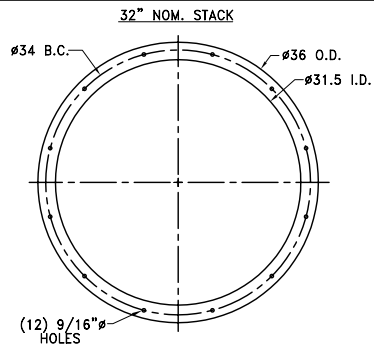
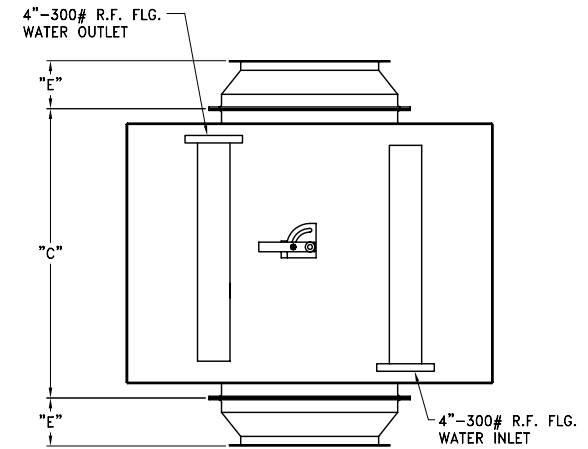
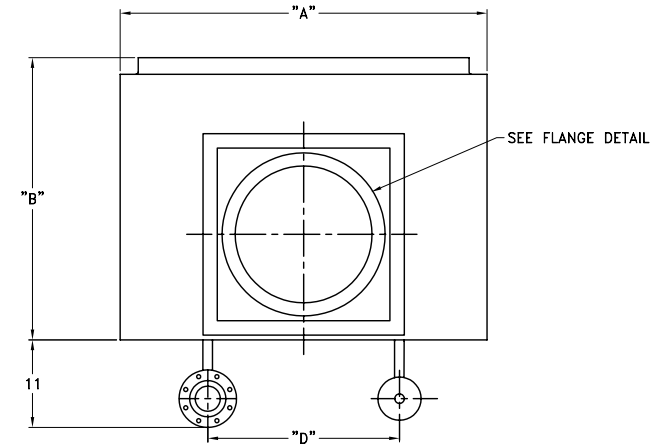
4

3

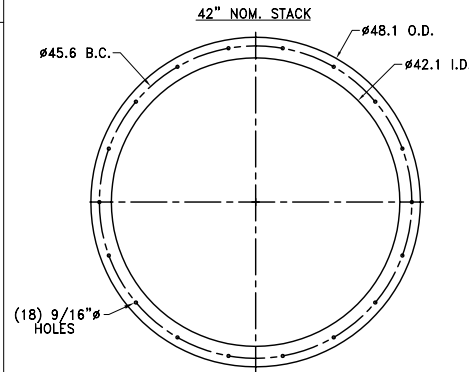
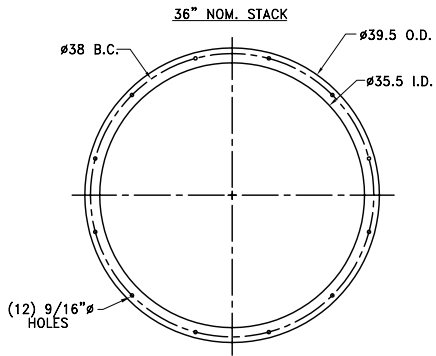
2

1

MODEL	"A"	"B"	"C"	"D"	"E" (32" VENT)	"E" (36" VENT)	"E" (42" VENT)
CRE-54E	88	73	45.7	56	16	14	N/A
CRE-54F	88	73	50.0	56	16	14	N/A
CRE-54G	88	73	54.3	56	16	14	N/A
CRE-54H	88	73	58.3	56	16	14	N/A
CRE-54I	88	73	62.7	56	16	14	N/A
CRE-54J	88	73	66.9	56	16	14	N/A
CRE-54K	88	73	70.9	56	16	14	N/A
CRE-54L	88	73	75.0	56	16	14	N/A
CRE-54M	88	73	79.2	56	16	14	N/A
CRE-54N	88	73	83.4	56	16	14	N/A
CRE-60F	98	82	50.0	62	19	17	14
CRE-60G	98	82	54.3	62	19	17	14
CRE-60H	98	82	58.3	62	19	17	14
CRE-60I	98	82	62.7	62	19	17	14
CRE-60J	98	82	66.9	62	19	17	14
CRE-60K	98	82	70.9	62	19	17	14
CRE-60L	98	82	75.0	62	19	17	14
CRE-60M	98	82	79.2	62	19	17	14
CRE-60N	98	82	83.4	62	19	17	14
CRE-60O	98	82	87.6	62	19	17	14
CRE-60P	98	82	91.8	62	19	17	14



FLANGE DETAIL



REVISIONS

SCALE
N.T.S.

DATE

DRAWN

SIZE

B

CRE_54-60_TR.PDF

SHT 01 OF 01

CLEVER BROOKS
The power of commitment.™ECONOMIZER
MODEL CRE-54 & CRE-60

DRWG. NO.

00

D

C

B

A