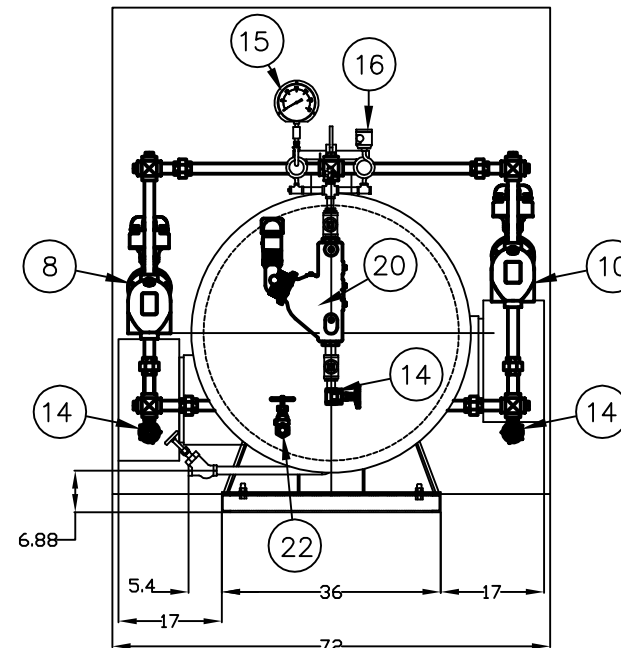
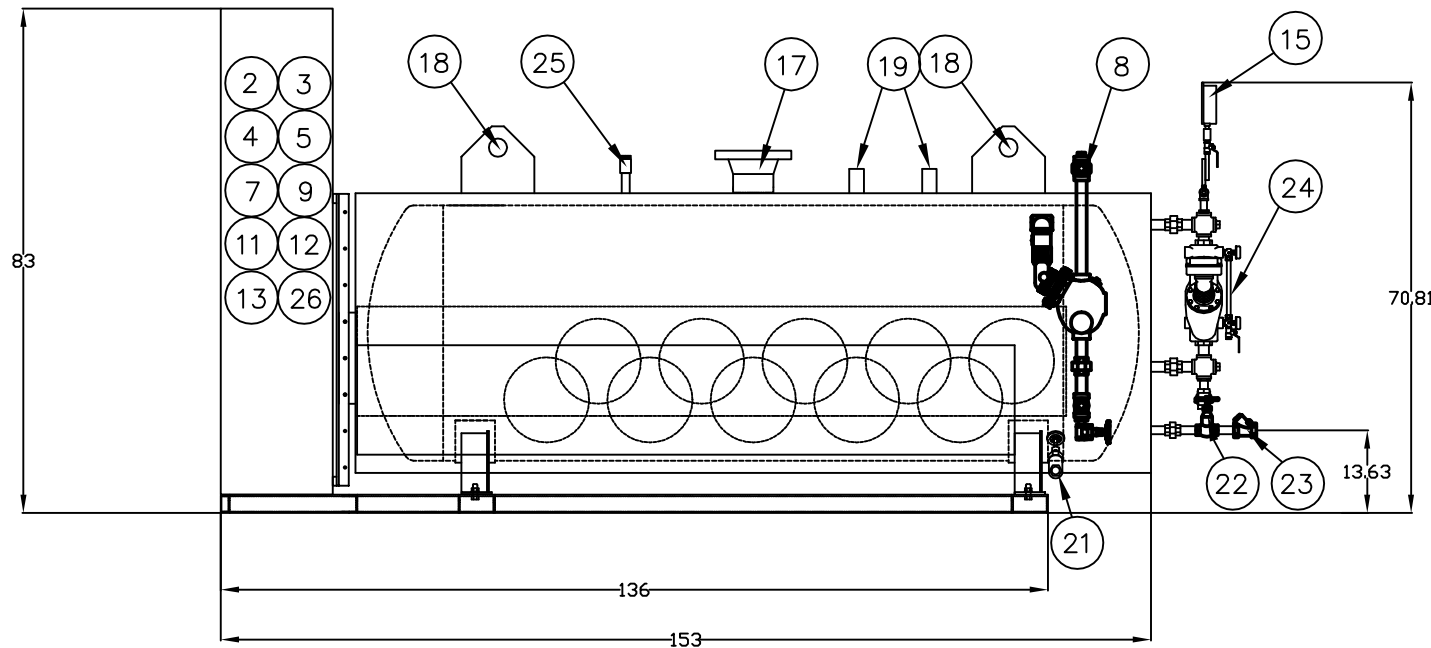
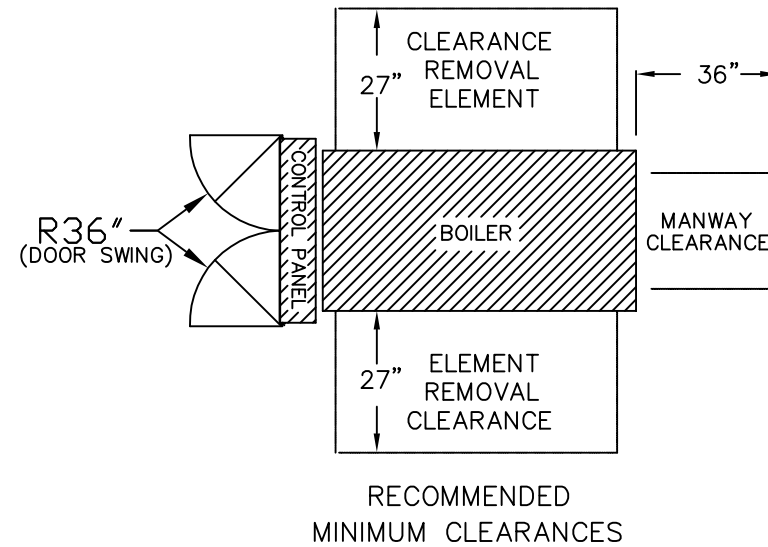


CAUTION

DIMENSIONS SHOWN ARE APPROXIMATE AND SHOULD NOT BE USED IN RESTRICTIVE LAYOUTS OR TO PREFABRICATE ASSEMBLIES UNLESS CLEAVER-BROOKS HAS BEEN CONSULTED. IT IS STRONGLY RECOMMENDED THAT THE CUSTOMER REQUEST AS-BUILT CERTIFIED DRAWINGS FOR THESE CASES.

BOILER MAY BE SHOWN WITH OPTIONAL EQUIPMENT IN LUEI OF STANDARD COMPONENTS.



ITEM	DESCRIPTION/MATERIAL
1	STEAM HEADER VALVE 6" 300 LB (S/L)
2	CONTROL PANEL
3	TOGGLE SWITCHES
4	PILOT LIGHT, WHITE (CONTROL POWER ON)
5	PILOT LIGHT, RED (LOW/HIGH WATER)
6	N/A
7	SWITCH, CONTROL POWER
8	AUXILIARY LOW WATER CUTOFF-McDM 94
9	AMBER (STEPS LIGHTS)
10	HIGH WATER CUTOFF-McDM 94
11	AUDIBLE ALARM W/ SILENCER
12	PILOT LIGHT, RED (HIGH PRESSURE)
13	SWITCH, PB, ALARM SILENCE
14	WATER COLUMN BLOW DOWN
15	PRESSURE GAUGE, 0-300 PSI
16	PRESSURE CONTROL, P7810C
17	STEAM OUTLET - 6" 300# FLG
18	LIFTING LUGS
19	SAFETY VALVES (2)
20	LOW WATER CUTOFF McDONNELL MILLER #193-7B
21	1-1/2" NPT, BLOWDOWN VALVE, Y-TYPE 200#
22	2" NPT / 200 WSP VALVE, FEEDWATER, GLOBE,
23	2" NPT / 200 WSP VALVE, FEEDWATER, CHECK,
24	SIGHT GAUGE, 200 WSP / 3-WAY 3/4" NPT / 250 WSP
25	SURFACE BLOWOFF
26	DIGITAL METER - SHARK 200

NOTES:

- Boiler to comply with NEC and cULus requirements, and shall bear the cULus label.
- Accessed by removing element access panels.

THIS DRAWING IS PROPERTY OF CLEAVER-BROOKS, INC. IT IS SUBJECT TO CHANGE WITHOUT NOTICE, AND IS NOT TO BE COPIED OR USED IN ANY WAY DETRIMENTAL TO THE COMPANY. SUGGESTIONS AND INFORMATION CONTAINED ON THIS DRAWING ARE NOT INTENDED TO SUPPLANT LOCAL CODES.

REVISIONS	SPECIFICATIONS	
	PRESSURE: DESIGN <u>200</u> PSI KW <u>2484</u> AT <u>600</u> / <u>3</u> / <u>60</u> <u>159</u> ELEMENTS AT <u>15.6</u> KW <u>75</u> WSI INCOLOY RELIEF VALVE SET PRESSURE <u>200</u> PSI	

SAMPLE	DIMENSION DIAGRAM	
	SHT 01 OF 01	

SCALE	N.T.S.			
DATE	11/10/09			
DRAWN	SIZE			
HSB TYPE	424	2484	200ST	
600 VOLTS	3 PHASE	60 HERTZ	3 WIRE	NO INSURANCE
DRWG. NO.	SAMPLE			00

D
C
B
A