

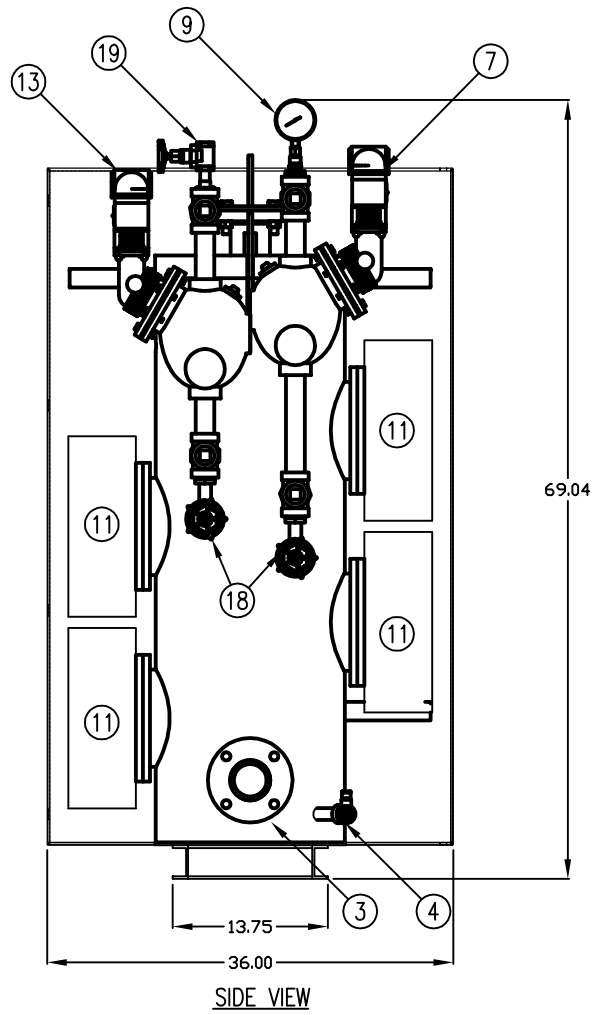
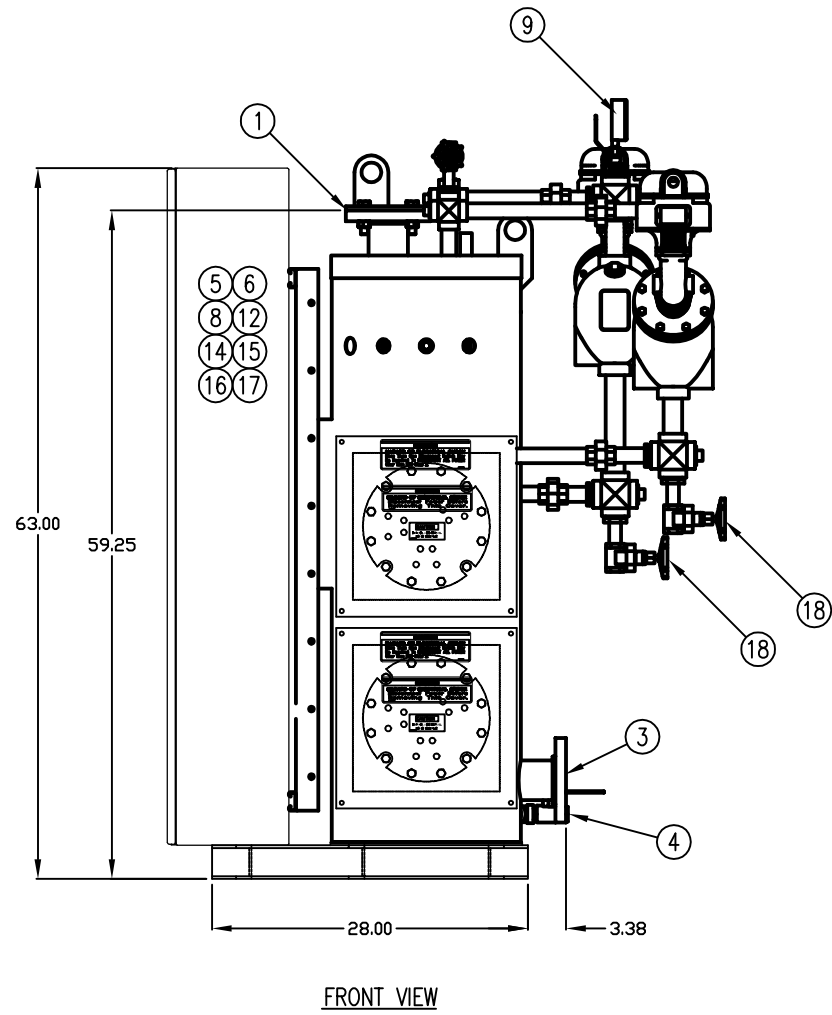
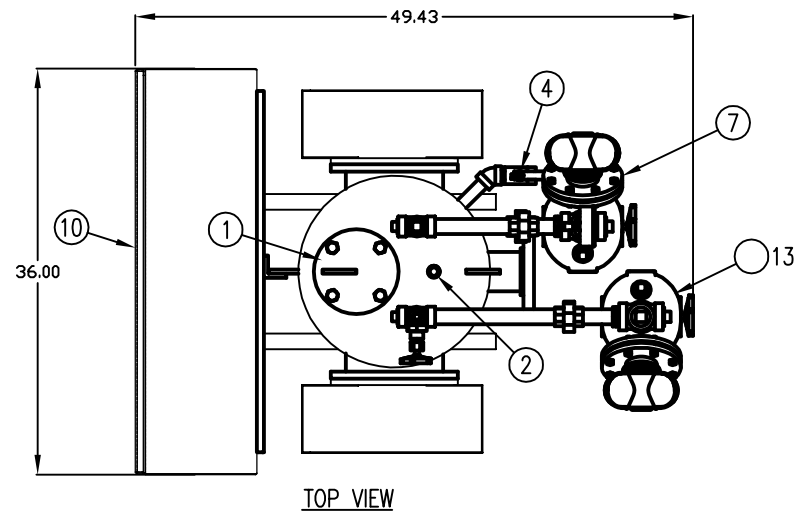
THIS DRAWING IS PROPERTY OF CLEAVER-BROOKS, INC. IT IS SUBJECT TO CHANGE WITHOUT NOTICE, AND IS NOT TO BE COPIED OR USED IN ANY WAY DETRIMENTAL TO THE COMPANY. SUGGESTIONS AND INFORMATION CONTAINED ON THIS DRAWING ARE NOT INTENDED TO SUPPLANT LOCAL CODES.

4

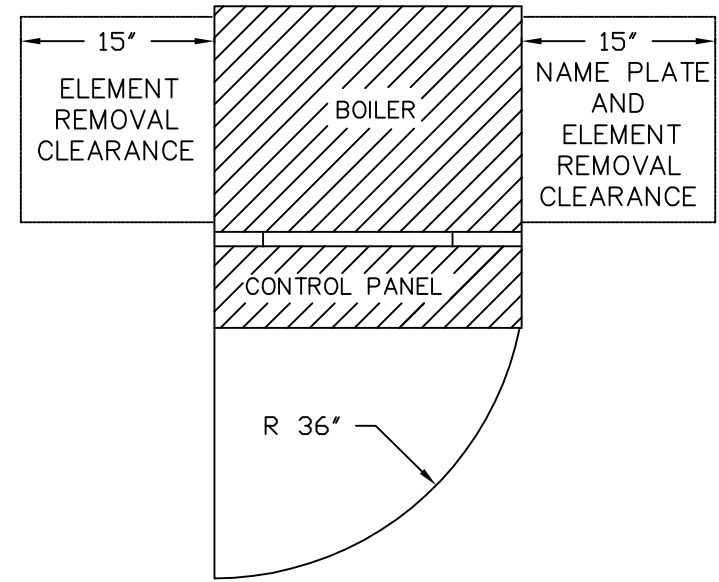
3

2

1



MINIMUM RECOMMENDED CLEARANCES



FOR ELEMENT REMOVAL AND DOOR SWING

ITEM	DESCRIPTION/MATERIAL
1	OUTLET - 3.0 150 LB F.F. FLG
2	SAFETY VALVE - (1) @ 160 PSI
3	RETURN/FEEDWATER - 3.0 150 LB F.F. FLG
4	BLOWDOWN/DRAIN VALVE - 0.75 NPS
5	TEMPERATURE CONTROLLER - HIGH LIMIT
6	TEMPERATURE CONTROLLER - OPERATING/MODULATING LIMIT
7	LWCO - McDONNELL MILLER 194
8	N/A
9	PRESSURE GAUGE
10	KEY LOCK CONTROL PANEL
11	ELEMENT ACCESS PANEL
12	POWER SWITCH WITH PILOT LIGHT(S)
13	ALWCO - McDONNELL MILLER 194
14	ALARM WITH SILENCING FUNCTION
15	DIGITAL TEMPERATURE READOUT
16	STEP LIGHTS (7 STEPS @ 36 KW)
17	N/A
18	WATER COLUMN BLOWDOWN
19	AUX TEST & CHECK

NOTES:

- 1) Boiler to be constructed per ASME Boiler and Pressure Vessel Code, Section IV, "H" stamped and National Board registered.
- 2) Boiler to comply with NEC and UL requirements.
- 3a) Vessel is to be wrapped with 2" insulation
- c) Jacket enclosure is to be lined with one layer of insulation.
- 4) Boiler meets CSD-1 requirements

CAUTION

DIMENSIONS SHOWN ARE APPROXIMATE AND SHOULD NOT BE USED IN RESTRICTIVE LAYOUTS OR TO PREFABRICATE ASSEMBLIES UNLESS CLEAVER-BROOKS HAS BEEN CONSULTED. IT IS STRONGLY RECOMMENDED THAT THE CUSTOMER REQUEST AS-BUILT CERTIFIED DRAWINGS FOR THESE CASES.

BOILER MAY BE SHOWN WITH OPTIONAL EQUIPMENT IN LUEI OF STANDARD COMPONENTS.

REVISIONS	ELECTRICAL SPECIFICATIONS
	PRESSURE: DESIGN <u>160</u> HW KW <u>240</u> AT <u>380</u> / <u>3</u> / <u>60</u> <u>48</u> ELEMENTS AT <u>5</u> KW <u>75</u> WSI INCOLOY RELIEF VALVE SET PRESSURE <u>200</u> PSI

SAMPLE	DIMENSIONAL DRAWING
	SHT 01 OF 01

SCALE N.T.S.
DATE 4/12/11
DRAWN
SIZE

CleaverBrooks®				
WB TYPE 380 VOLTS	122 SIZE 3 PHASE	240 KW 50 HERTZ	200HW PRESSURE 3 WIRE	GALLONS N/A INSURANCE
DRWG. NO. SAMPLE				00

D
C
B
A