

4

3

2

1

ITEM	DESCRIPTION/MATERIAL
1	DRAIN VALVE – 1.5 NPS (1)
2	INLET – 6.0" 150# FF FLG
3	PRESSURE GAUGE – 0–300 PSI
4	RELIEF VALVE – SET AT 160 LB (SHIPPED LOOSE)
5	OUTLET – 6.0" 150# FF FLG
6	LOW WATER CUTOFF – WARRICK PROBE MR
7	CONTROL PANEL ENTRANCE
8	PILOT/POWER SWITCH
9	ELEMENT ACCESS PANEL
10	ALARM BELL
11	HONEYWELL 2500 UDC CONTROLLER W/ DIGITAL TEMP. DISPLAY
12	MANWAY
13	12 STEPS @ 60kW
14	3 PHASE DIGITAL METER

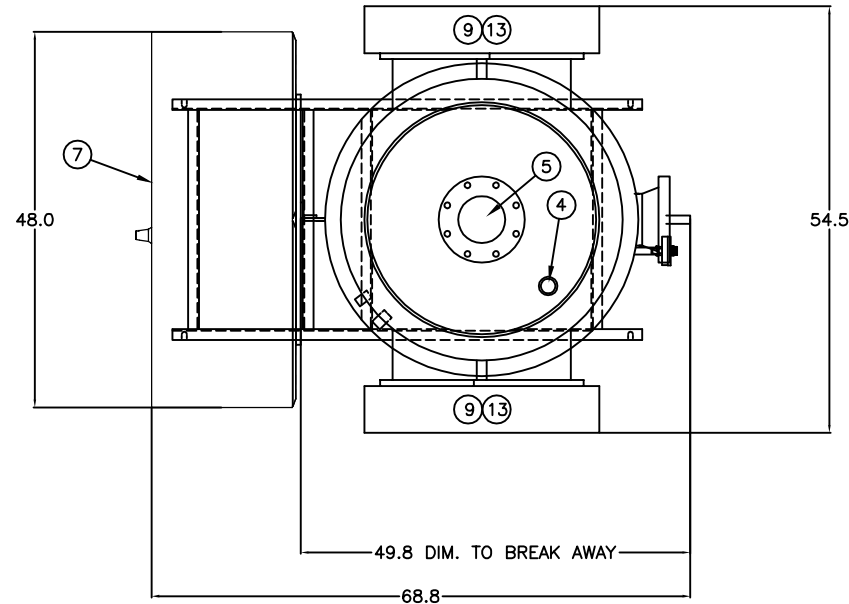
NOTES:

- 1) Boiler to be constructed per ASME Boiler and Pressure Vessel Code, Section IV, "H" stamped and National Board registered with cULus label
- 2) Boiler to comply with NEC, CSD-1
- 3) Vessel is to be wrapped with one layer of standard 2" fiberglass insulation.
- 4) Break away panel provided. All wires to be disconnected at elements & devices. Each wire is to be numbered clearly for ease of rewiring in the field.

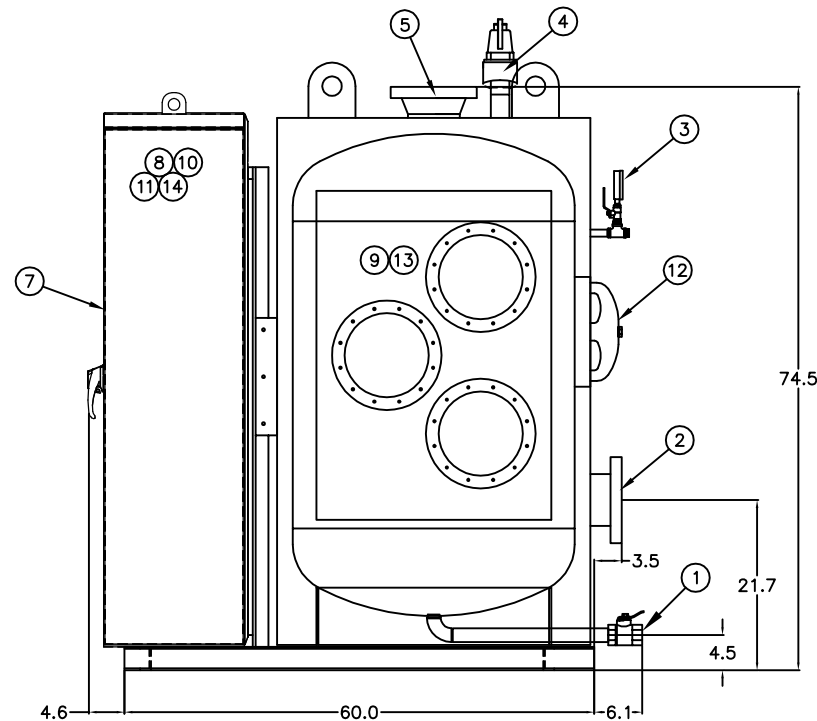
**CAUTION**

DIMENSIONS SHOWN ARE APPROXIMATE AND SHOULD NOT BE USED IN RESTRICTIVE LAYOUTS OR TO PREFABRICATE ASSEMBLIES UNLESS CLEAVER-BROOKS HAS BEEN CONSULTED. IT IS STRONGLY RECOMMENDED THAT THE CUSTOMER REQUEST AS-BUILT CERTIFIED DRAWINGS FOR THESE CASES.

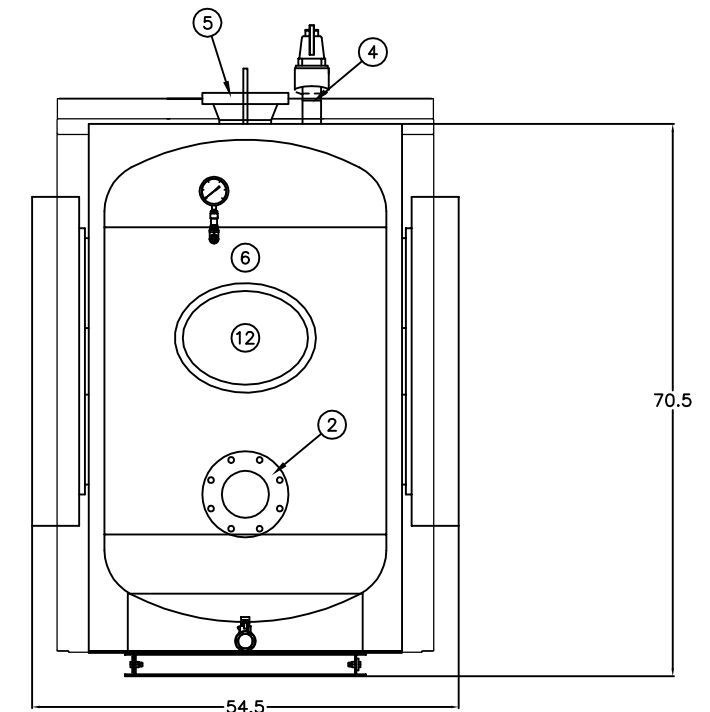
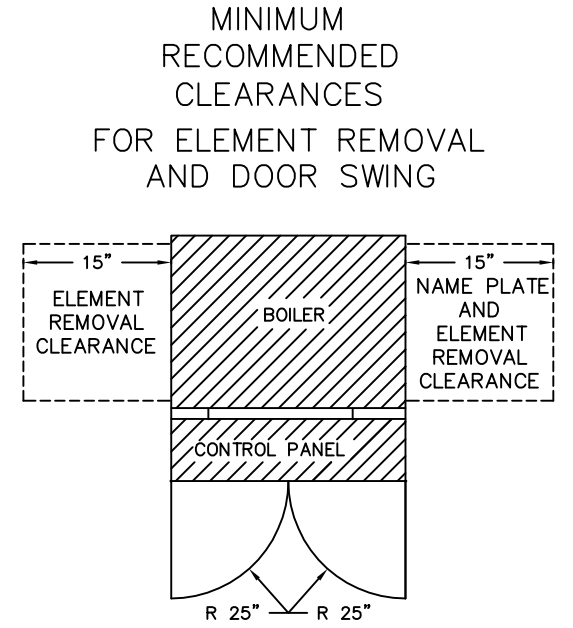
BOILER MAY BE SHOWN WITH OPTIONAL EQUIPMENT IN LUEI OF STANDARD COMPONENTS.



TOP VIEW



SIDE VIEW



BACK VIEW

REVISIONS	<b>SPECIFICATIONS</b>
	PRESSURE: DESIGN <u>160</u> MAX OPER <u>250</u> F° KW <u>720</u> AT <u>480</u> / <u>3</u> / <u>60</u> <u>72</u> ELEMENTS AT <u>10</u> KW <u>75</u> WSI INCOLOY RELIEF VALVE SET PRESSURE <u>160</u> PSI

SAMPLE	<b>DIMENSIONAL DRAWING</b>
	SHT 01 OF 01

SCALE	N.T.S.
DATE	12/1/10
DRAWN	
SIZE	

**CLEAVER BROOKS**  
The power of commitment.™

WB TYPE	361	720	160HW	GALLONS
480 VOLTS	SIZE 3 PHASE	KW 60 HERTZ	PRESSURE 3 WIRE	NO INSURANCE
DRWG. NO.	SAMPLE			01

THIS DRAWING IS PROPERTY OF CLEAVER-BROOKS, INC. IT IS SUBJECT TO CHANGE WITHOUT NOTICE, AND IS NOT TO BE COPIED OR USED IN ANY WAY DETRIMENTAL TO THE COMPANY. SUGGESTIONS AND INFORMATION CONTAINED ON THIS DRAWING ARE NOT INTENDED TO SUPPLANT LOCAL CODES.

D  
C  
B  
A