

Parts List
DESCRIPTION

| | |
|----|---|
| 1 | CONTROL PANEL |
| 2 | BURNER HOUSING COVER |
| 3 | CONTROL/TRIM PIPING |
| 4 | SURFACE BLOWOFF PIPING (OPTIONAL) |
| 5 | COLLECTOR PIPE (OPTIONAL) |
| 6 | HANDHOLES (4) |
| 7 | 4 1/2" O.D. PIPE COMBUSTION AIR DIRECT VENT KIT. (OPTIONAL) |
| 8 | RELIEF VALVE, 1/2" INLET (SET @ 150#) |
| 9 | 1" BLOWDOWN PIPING (OPTIONAL) |
| 10 | 1" FEEDWATER PIPING (OPTIONAL) |
| 11 | 1" GAS TRAIN PIPING |
| 12 | BLOWER MOTOR, 115V 50/60HZ, 335 W |
| 13 | BURNER SIGHT GLASS |
| 14 | VALVE, GAS 120VAC 1/2" NPT. |
| 15 | LOW GAS PRESSURE SWITCH |
| 16 | HIGH GAS PRESSURE SWITCH |
| 17 | GAS PRESSURE REGULATOR, MAXITROL RV#61 |
| 18 | 1" BALL VALVE (2) |
| 19 | AUX. LOW WATER CUT OFF PROBE HOLDER |
| 20 | LOW WATER AND PUMP CONTROL |
| 21 | BURNER CAN UNIT |
| 22 | COMBUSTION AIR PROVING SWITCH |
| 23 | STEAM PRESSURE GAUGE |
| 24 | LEAKAGE TEST COCKS (3) |
| 25 | CHEMICAL FEED PUMP |

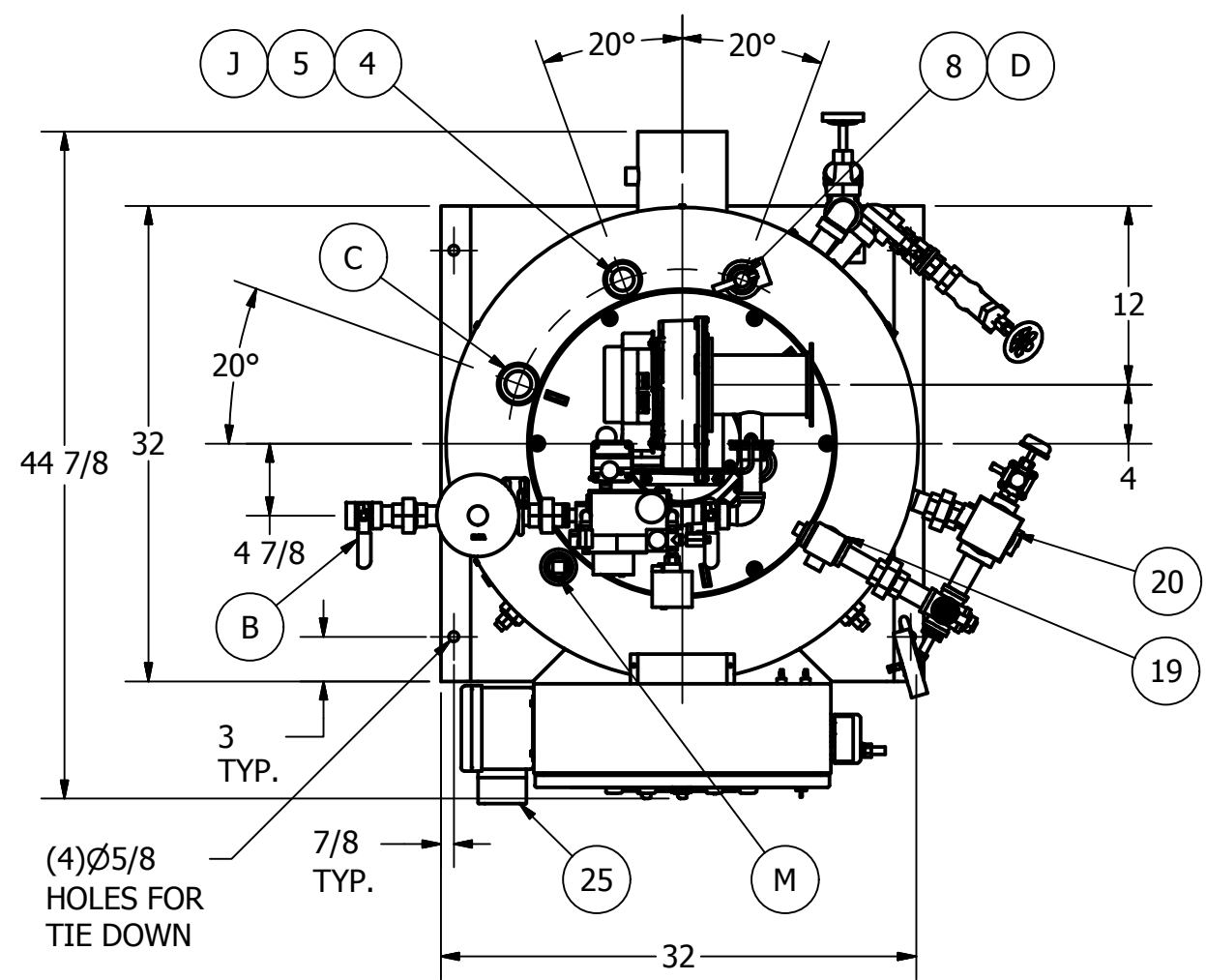
NOTES:

1. BOILER IS DESIGNED AND CONSTRUCTED IN ACCORDANCE WITH THE ASME BOILER AND PRESSURE VESSEL CODE: SECTION I.
2. BOILER HAS 2" BLANKET INSULATION, COVERED WITH SECTIONAL STAINLESS STEEL SHEET METAL LAGGING.
3. ASME CSD-1 COMPLIANT.
4. UNIT IS FACTORY FIRE TESTED.
5. BURNER IS FULLY MODULATING WITH 4:1 TURN DOWN.

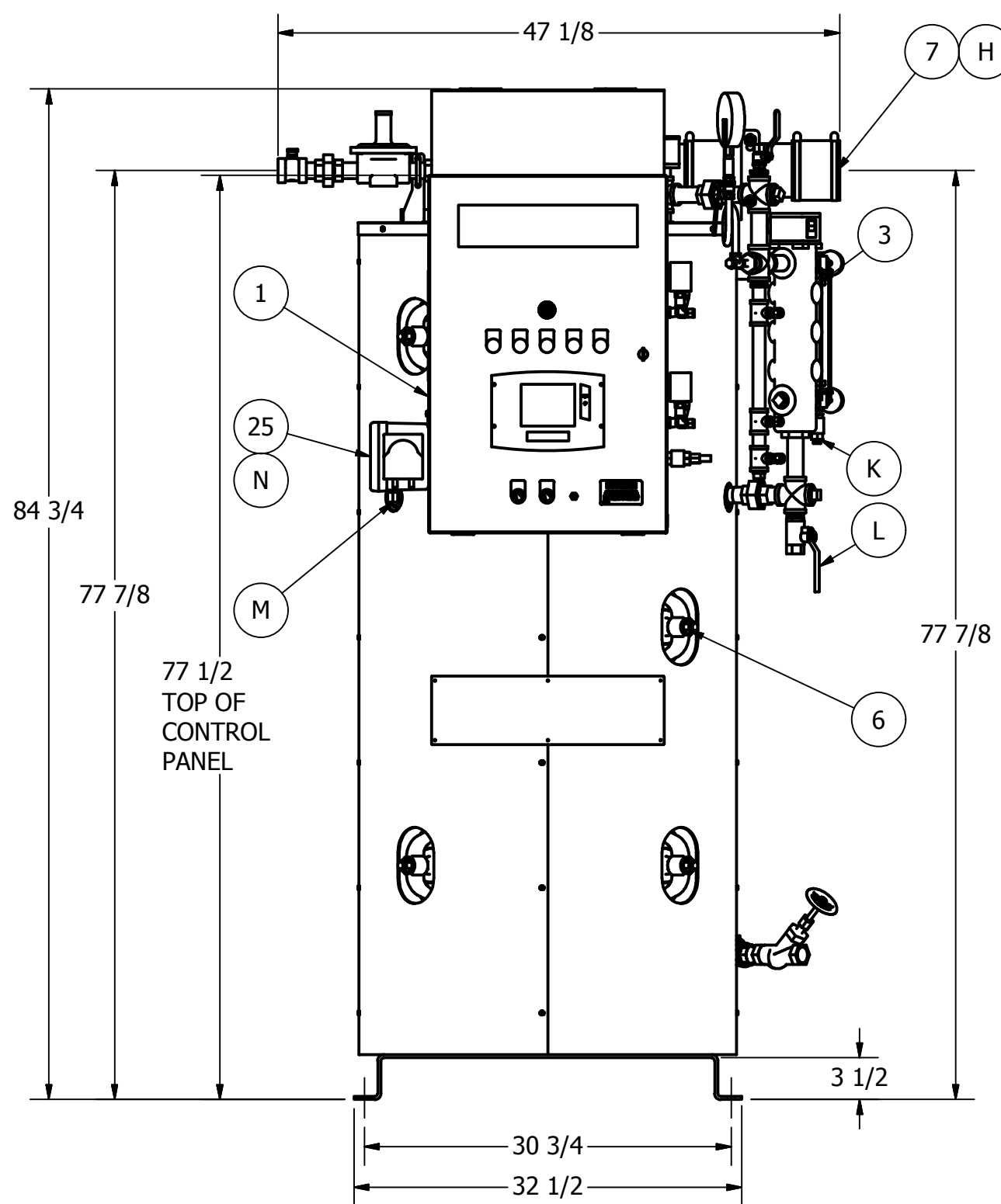
| ITEM | CONNECTIONS: |
|------|--|
| A | 6" STACK OUTLET |
| B | 1" NPT. GAS SUPPLY |
| C | 1 1/2" NPT STEAM OUTLET |
| D | 3/4" NPT. RELIEF VALVE OUTLET |
| E | 1/2" NPT. CONDENSATE DRAIN & O2 SAMPLE |
| F | 1" NPT. FEED WATER |
| G | 1" BLOWDOWN |
| H | 4" DIA. COMB. AIR/DIRECT VENT |
| J | 1 1/4" SURFACE BLOWOFF CONNECTION |
| K | 1/4" NPT. GAUGE GLASS DRAIN |
| L | 3/4" NPT. WATER COLUMN DRAIN |
| M | 1" OPTIONAL ALWCO(2) |
| N | 1/4" CHEMICAL FEED INLET & OUTLET |

| SHIPPING DATA | |
|--|--|
| BOILER SIZE: 45" L X 32 1/2" W X 84 3/4" H | |
| BOILER WIEGHT: 1950 LBS | |

| BOILER DATA | |
|--|--|
| FUEL: NATURAL GAS | |
| INPUT: 413 MBH | |
| OUTPUT: 335 MBH | |
| FIRESIDE HEATING SURFACE: 65 SQ.FT. | |
| EXTENDED HEATING SURFACE: 53 SQ.FT. | |
| BOILER HEATING SURFACE: 12 SQ.FT. | |
| MINIMUM GAS PRESSURE REQUIRED: 7.2" W.C. | |
| MAXIMUM GAS PRESSURE REQUIRED: 28" W.C. | |
| VOLTAGE: 120/1/60 | |

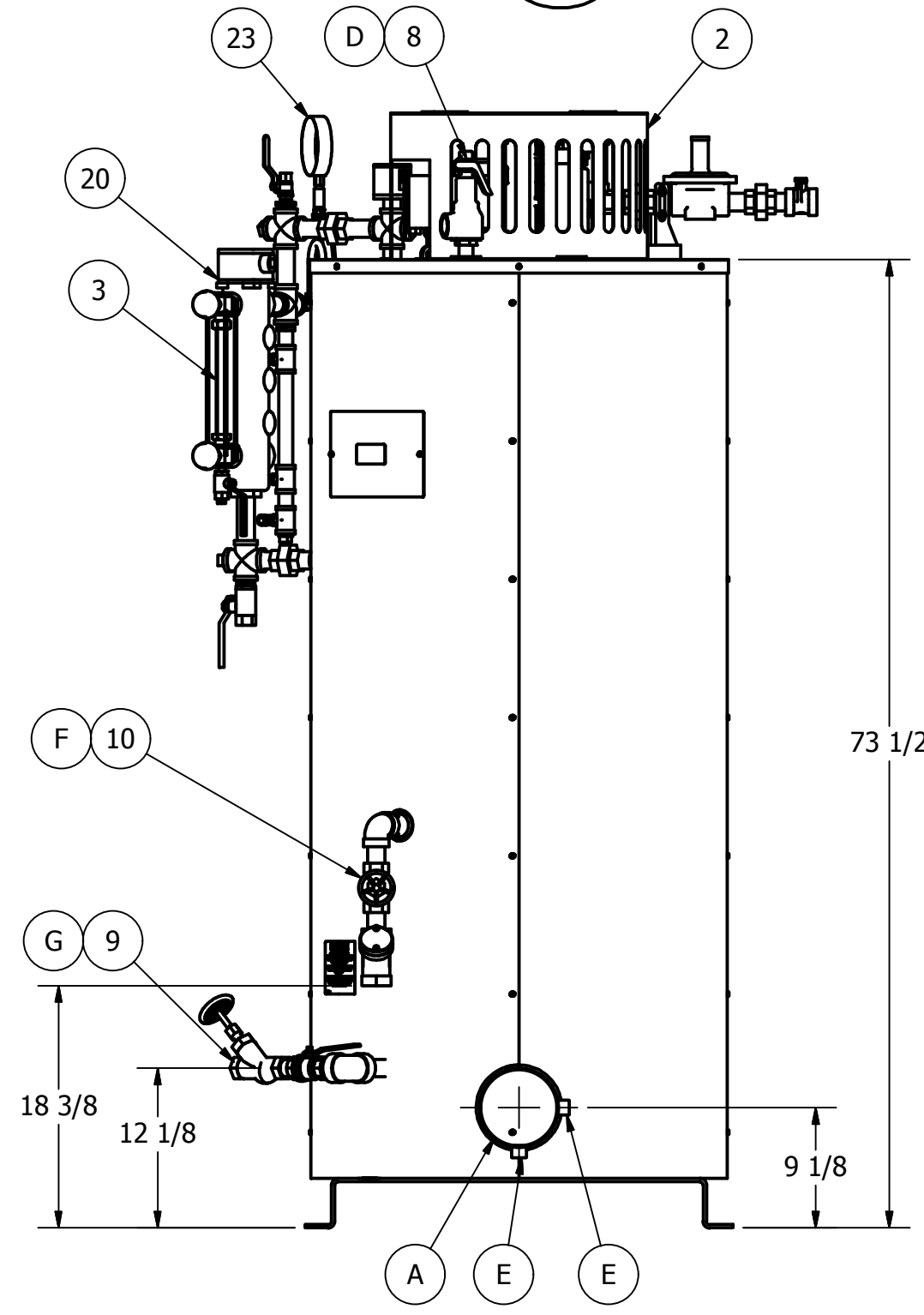
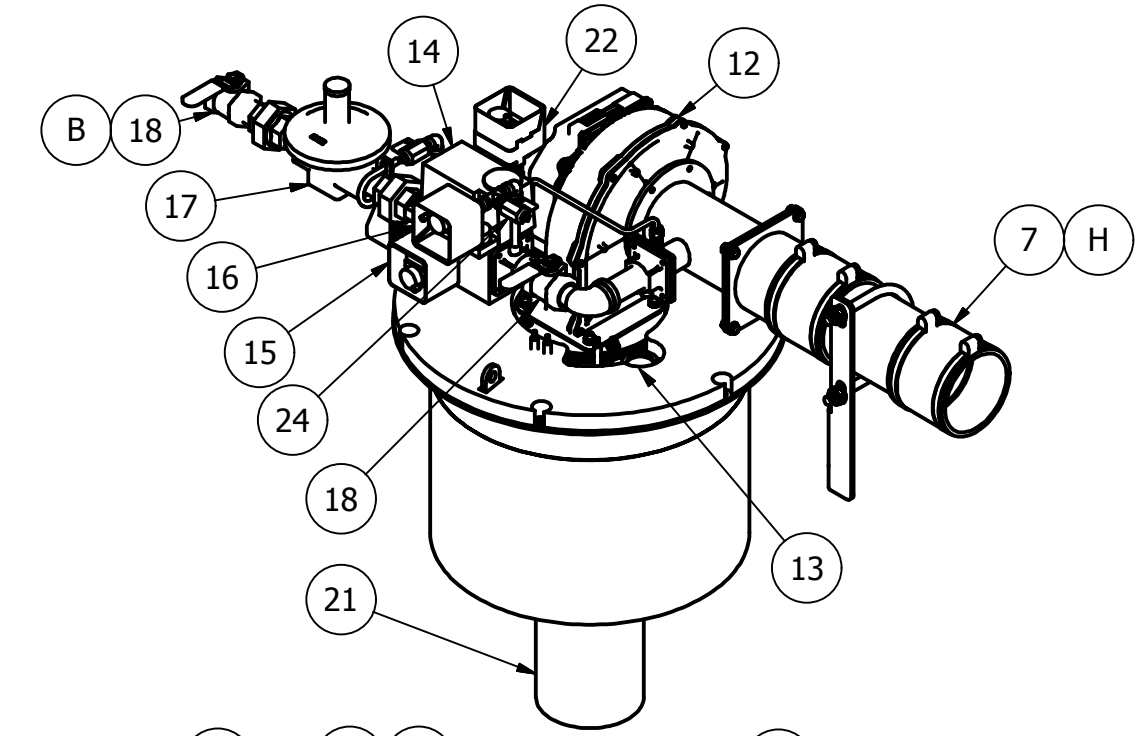


PLAN VIEW



FRONT VIEW

CAUTION
Dimensions shown are approximate and should not be used in restrictive layouts or to prefabricate assemblies unless Cleaver-Brooks has been consulted. It is strongly recommended that the customer request as-built certified drawings for these cases.



REAR VIEW

| REVISIONS | EN# | DATE | CP | REVISIONS | EN# | DATE | CP |
|-----------|-----|------|----------|---------------|-----|------|----|
| | | 01 | 02/02/09 | CP | | | |
| | | | | REVISOR | | | |
| | | | | UNDER | | | |
| | | | | COMPONENTS | | | |
| | | 02 | 01/18/11 | CP | | | |
| | | | | ADDED | | | |
| | | | | DIMENSIONS, & | | | |
| | | | | BASE DESIGN | | | |
| | | | | CHANGE | | | |
| | | | | UPDATE. | | | |
| | | 03 | 07/06/12 | LS | | | |
| | | | | ADDED ITEM 25 | | | |
| | | | | UPDATED | | | |
| | | | | SHIPPING DATA | | | |
| | | | | AND BOILER | | | |
| | | | | DATA. | | | |

WARNING: Changes, modifications or alterations are strictly prohibited. Changes to this drawing and subsequent modification of equipment could result in damage to the equipment and/or serious personal injury.

| | |
|---|------------|
| ALL MATERIAL SIZES ON BILL OF MATERIAL ARE FOR REFERENCE ONLY. DRAWING DIMENSIONS MUST BE FOLLOWED. | |
| TOLERANCE, UNLESS OTHERWISE SPECIFIED: | |
| FRACTIONAL ± | DECIMAL ± |
| HOLE LOCATIONS ± | ANGLES ± |
| DRILLED, PUNCHED OR SLOTTED HOLES ± | |
| SIZE | SHT 1 OF 1 |
| C | |

| | |
|-------------|-----------|
| DRAWN BY: | CP |
| CHECKED BY: | DJD |
| DATE: | 1/21/2009 |
| SCALE: | N.T.S. |

CleaverBrooks®
DIMENSIONAL DIAGRAM
10HP CFV, 150# STEAM
DRWG. NO. 10HP CFV DD REV 03

THIS DRAWING IS PROPERTY OF CLEAVER-BROOKS DIVISION IT IS SUBJECT TO CHANGE WITHOUT NOTICE, AND IS NOT TO BE COPIED OR USED IN ANY WAY DETRIMENTAL TO THE COMPANY.