

MAJOR COMPONENTS

ITEM	DESCRIPTION
1	CONTROL PANEL
2	BURNER HOUSING COVER
3	CONTROL/TRIM PIPING
4	SURFACE BLOWOFF PIPING (OPTIONAL)
5	COLLECTOR PIPE (OPTIONAL)
6	HANDHOLES (4)
7	4 1/2" O.D. PIPE COMBUSTION AIR DIRECT VENT KIT (OPTIONAL)
8	SAFETY RELIEF VALVE, 3/4" INLET (SET @ 150#)
9	1" BLOWDOWN PIPING (OPTIONAL)
10	1" FEED WATER PIPING (OPTIONAL)
11	1" GAS TRAIN PIPING
12	BLOWER MOTOR, 115V 50/60HZ, 335 W
13	BURNER SIGHT GLASS
14	VALVE, GAS 120VAC 1" NPT.
15	LOW GAS PRESSURE SWITCH
16	HIGH GAS PRESSURE SWITCH
17	GAS PRESSURE REGULATOR, MAXITROL, #RV61
18	1" BALL VALVE (2)
19	AUX. LOW WATER CUT OFF PROBE HOLDER
20	LOW WATER & PUMP CONTROL
21	BURNER CAN UNIT
22	COMBUSTION AIR PROVING SWITCH
23	STEAM PRESSURE GAUGE
24	LEAKAGE TEST COCKS (3)
25	CHEMICAL FEED PUMP

NOTES:

1. BOILER IS DESIGNED AND CONSTRUCTED IN ACCORDANCE WITH THE ASME BOILER AND PRESSURE VESSEL CODE: SECTION I.
2. BOILER HAS 2" BLANKET INSULATION, COVERED WITH SECTIONAL STAINLESS STEEL SHEET METAL LAGGING.
3. ASME CSD-1 COMPLIANT.
4. UNIT IS FACTORY FIRE TESTED.
5. BURNER IS FULLY MODULATING WITH 4:1 TURN DOWN.

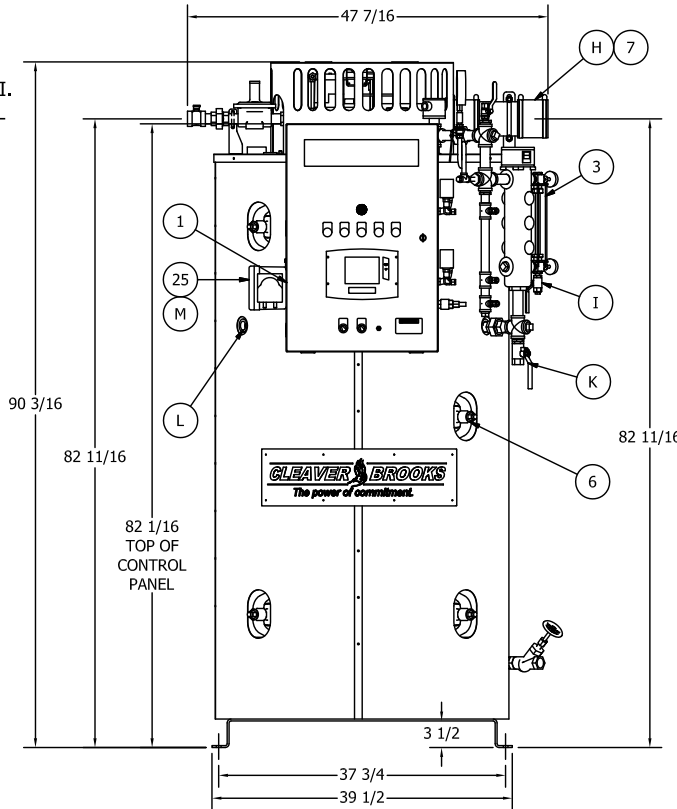
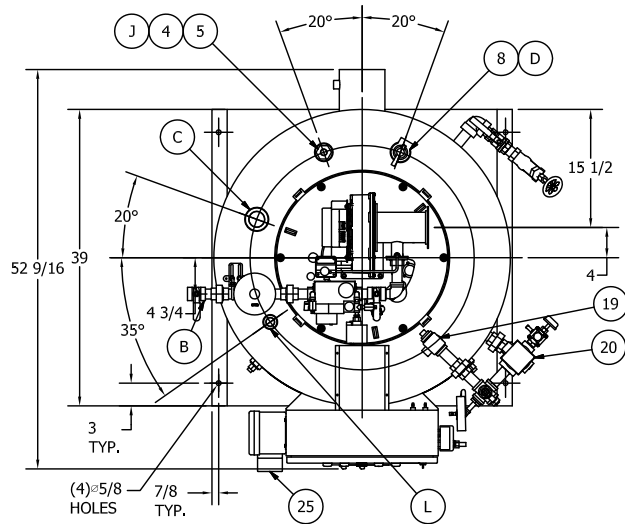
ITEM	CONNECTIONS:
A	6" STACK OUTLET
B	1" NPT. GAS SUPPLY
C	2" NPT. STEAM OUTLET
D	1" RELIEF VALVE OUTLET
E	1" NPT. FEED WATER
F	1/2" NPT. CONDENSATE DRAIN & O2 SAMPLE
G	1" NPT. BLOWDOWN
H	4" DIA. COMB. AIR/DIRECT VENT
I	1/4" NPT. GAUGE GLASS DRAIN
J	1 1/4" NPT. SURFACE BLOWOFF CONNECTION
K	3/4" NPT. WATER COLUMN DRAIN
L	1" NPT. OPTIONAL ALWCO(2)
M	1/4" I.D. CHEMICAL FEED INLET & OUTLET

SHIPPING DATA	
BOILER SIZE:	53" L X 39 1/2" W X 90 3/16" H
BOILER WIEGHT:	2780 LBS

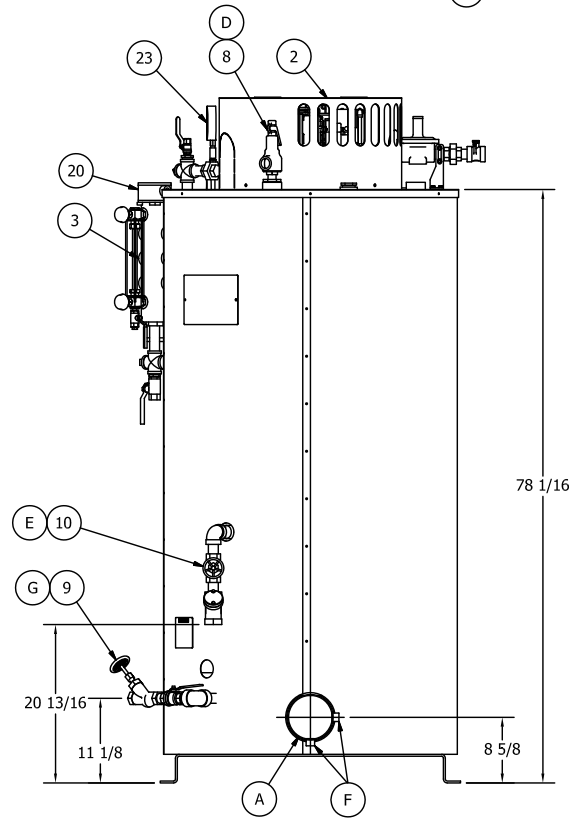
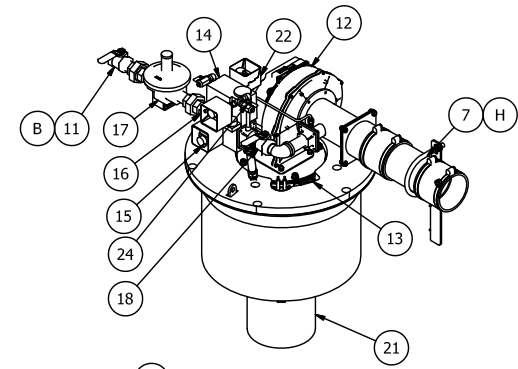
BOILER DATA	
FUEL:	NATURAL GAS
INPUT:	1033 MBH
OUTPUT:	837 MBH
FIRESIDE HEATING SURFACE:	159 SQ.FT.
EXTENDED HEATING SURFACE:	143 SQ.FT.
BOILER HEATING SURFACE:	16 SQ.FT.
MINIMUM GAS PRESSURE REQUIRED:	7.7" W.C.
MAXIMUM GAS PRESSURE REQUIRED:	28" W.C.
VOLTAGE:	120/1/60

REVISONS	EN#	DATE	CP	ADDED	DIMENSIONS & BASE DESIGN CHANGE UPDATE.	LS	ADDED ITEM 25.	REVISED SHIPPING & BOILER DATA.	DM	STEAM OUTLET WAS 1-1/2" NPT.
02	01/18/11									
03	10/06/12									
04	10/7/10/14									

WARNING: Changes, modifications or alterations are strictly prohibited. Changes to this drawing and subsequent modification of equipment could result in damage to the equipment and/or serious personal injury.



CAUTION
Dimensions shown are approximate and should not be used in restrictive layouts or to prefabricate assemblies unless Cleaver-Brooks has been consulted. It is strongly recommended that the customer request as-built certified drawings for these cases.



ALL MATERIAL SIZES ON BILL OF MATERIAL ARE FOR REFERENCE ONLY, DRAWING DIMENSIONS MUST BE FOLLOWED.	DRAWN BY: CP
TOLERANCE, UNLESS OTHERWISE SPECIFIED: FRACTIONAL ± DECIMAL ± HOLE LOCATIONS ± ANGLES ± DRILLED, PUNCHED OR SLOTTED HOLES ±	CHECKED BY: DJD
SIZE C	DATE: 1/21/2009
SHT 1 OF 1	SCALE: N.T.S.

CleaverBrooks®	
DIMENSIONAL DIAGRAM 25HP CFV, 150# STEAM	
DRWG. NO.	CFV 25HP DD
	REV 04

THIS DRAWING IS PROPERTY OF CLEAVER-BROOKS DIVISION. IT IS SUBJECT TO CHANGE WITHOUT NOTICE, AND IS NOT TO BE COPIED OR USED IN ANY WAY DETRIMENTAL TO THE COMPANY.