

THIS DRAWING IS PROPERTY OF CLEAVER-BROOKS, INC. IT IS SUBJECT TO CHANGE WITHOUT NOTICE, AND IS NOT TO BE COPIED OR USED IN ANY WAY DETRIMENTAL TO THE COMPANY. SUGGESTIONS AND INFORMATION CONTAINED ON THIS DRAWING ARE NOT INTENDED TO SUPPLANT LOCAL CODES.

4

3

2

1

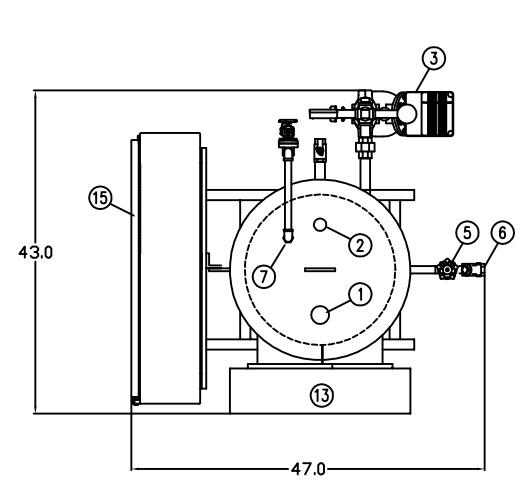
ITEM	DESCRIPTION/MATERIAL
1	STEAM OUTLET – 2.0 NPS
2	SAFETY VALVE – 150 PSI (Shipped Loose)
3	LOW WATER CUTOFF WATER COLUMN – McD&M 157
4	SIGHT GAUGE GLASS BLOWDOWN
5	FEEDWATER – GLOBE VALVE 0.75 NPS
6	FEEDWATER – SWING CHECK VALVE 0.75 NPS
7	SURFACE BLOWOFF SYSTEM – 0.5 NPS
8	BLOWDOWN DRAIN VALVE – 1.0 NPS
9	AUX. LOW WATER CUTOFF – PROBE (NOT SHOWN)
10	PRESSURE CONTROL – OPERATING
11	WATER COLUMN BLOWDOWN – 0.75 NPS
12	PRESSURE CONTROL – HIGH LIMIT
13	ELEMENT ACCESS PANEL
14	POWER SWITCH
15	ENTRANCE PANEL DOOR
16	PRESSURE GAUGE
17	PRESSURE CONTROL – MODULATING
18	STEP LIGHTS

- NOTES:
- Boiler to be constructed per ASME Boiler and Pressure Vessel Code, Section IV, "H" stamped and National Board registered.
  - Boiler will have a UL labeled panel
  - Boiler is wrapped with (2) layers of 2" thick insulation & covered with sheet metal lagging.

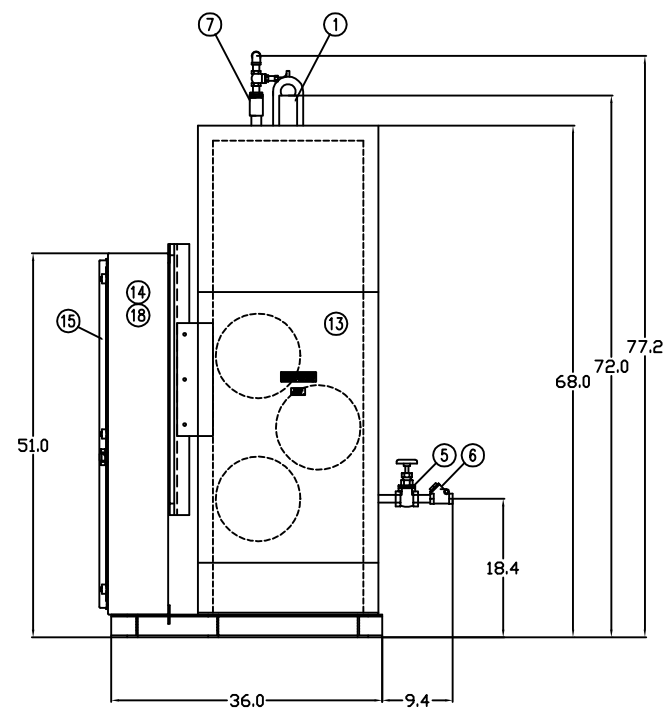
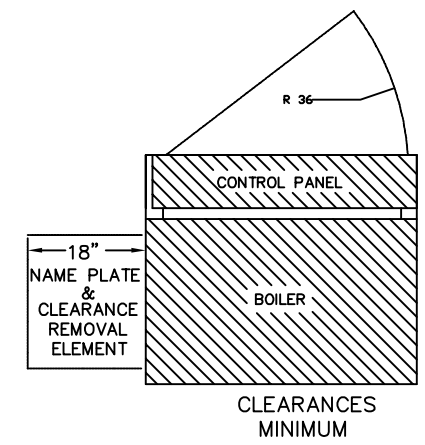
**CAUTION**

DIMENSIONS SHOWN ARE APPROXIMATE AND SHOULD NOT BE USED IN RESTRICTIVE LAYOUTS OR TO PREFABRICATE ASSEMBLIES UNLESS CLEAVER-BROOKS HAS BEEN CONSULTED. IT IS STRONGLY RECOMMENDED THAT THE CUSTOMER REQUEST AS-BUILT CERTIFIED DRAWINGS FOR THESE CASES.

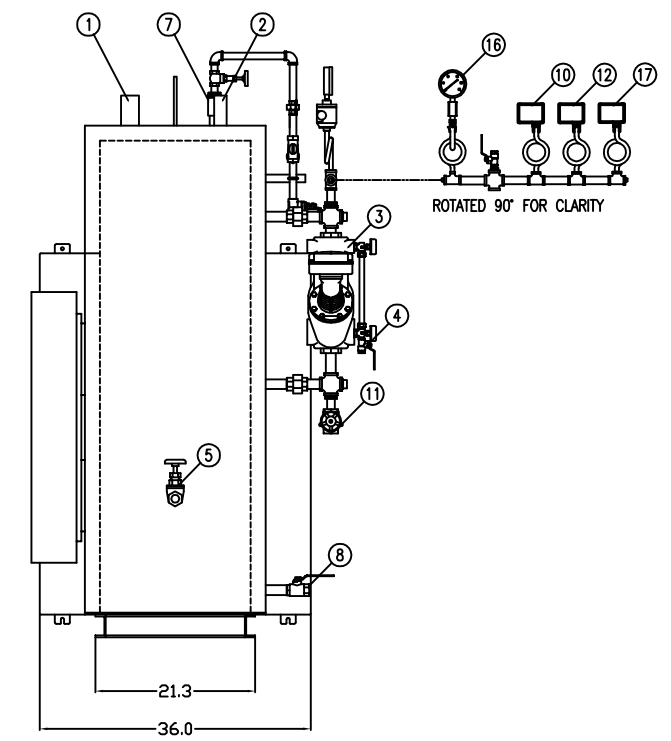
BOILER MAY BE SHOWN WITH OPTIONAL EQUIPMENT IN LUEI OF STANDARD COMPONENTS.



TOP VIEW



FRONT VIEW



SIDE VIEW

REVISIONS	SPECIFICATIONS
	PRESSURE: DESIGN <u>150</u> PSI KW <u>180</u> AT <u>480</u> / <u>3</u> / <u>60</u> <u>27</u> ELEMENTS AT <u>6.7</u> KW <u>67</u> WSI INCOLOY SAFETY VALVE SET PRESSURE <u>150</u> PSI

SAMPLE	DIMENSIONAL DRAWING	2
	SHT 01 OF 01	

SCALE	N.T.S.
DATE	4/12/10
DRAWN	
SIZE	

<b>CleaverBrooks®</b>				
S TYPE	200 SIZE	180 KW	150ST PRESSURE	GALLONS N/A
480 VOLTS	3 PHASE	60 HERTZ	3 WIRE	INSURANCE
DRWG. NO. SAMPLE			00	

D  
C  
B  
A