

THIS DRAWING IS PROPERTY OF CLEAVER-BROOKS, INC. IT IS SUBJECT TO CHANGE WITHOUT NOTICE, AND IS NOT TO BE COPIED OR USED IN ANY WAY DETRIMENTAL TO THE COMPANY. SUGGESTIONS AND INFORMATION CONTAINED ON THIS DRAWING ARE NOT INTENDED TO SUPPLANT LOCAL CODES.

4

3

2

1

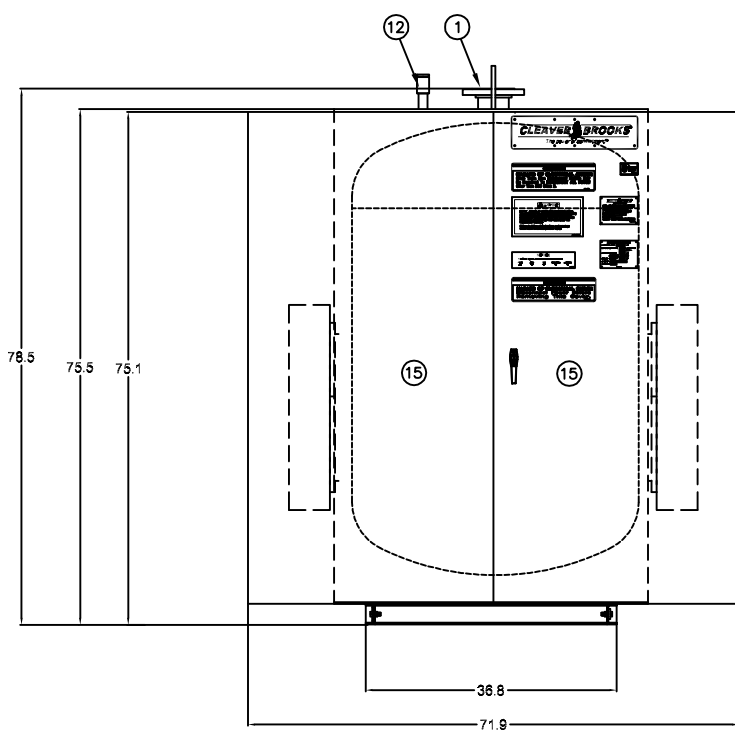
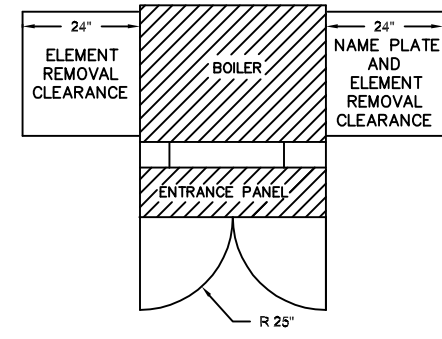
ITEM	DESCRIPTION/MATERIAL
1	STEAM OUTLET – 4.0" FLG 300#
2	SAFETY VALVE – 150 PSI (Shipped Loose)
3	LOW WATER CUTOFF WATER COLUMN – McD&M 157
4	SIGHT GAUGE GLASS BLOWDOWN
5	FEEDWATER – GLOBE VALVE 1.0 NPS
6	FEEDWATER – SWING CHECK VALVE 1.0 NPS
7	N/A
8	BLOWDOWN DRAIN VALVE – 1.0 NPS
9	AUXILIARY LOW WATER CUTOFF WATER COLUMN – McD&M 150
10	PRESSURE CONTROL – OPERATING/HIGH LIMIT/MODULATING
11	WATER COLUMN BLOWDOWN – 0.75 NPS
12	INTERNAL COLLECTOR PIPE WITH TAPPING – 0.75 NPS
13	ELEMENT ACCESS PANEL
14	POWER SWITCH
15	ENTRANCE PANEL DOOR
16	PRESSURE GAUGE
17	ELEMENTS
18	ALARM HORN – 4" WITH SILENCER
19	HIGH WATER CUTOFF – McDM 150
20	PILOT LIGHTS & TOGGLE SWITCHES
21	FEEDWATER – SOLENOID VALVE
22	FEEDWATER – STRAINER – 1.0 NPS

- NOTES:
- 1) Boiler to be constructed per ASME Boiler and Pressure Vessel Code, Section I, "S" stamped and National Board registered.
  - 2) Boiler will have a ULC labeled panel
  - 3) Boiler is wrapped with (2) layers of 2" thick insulation & covered with sheet metal lagging.

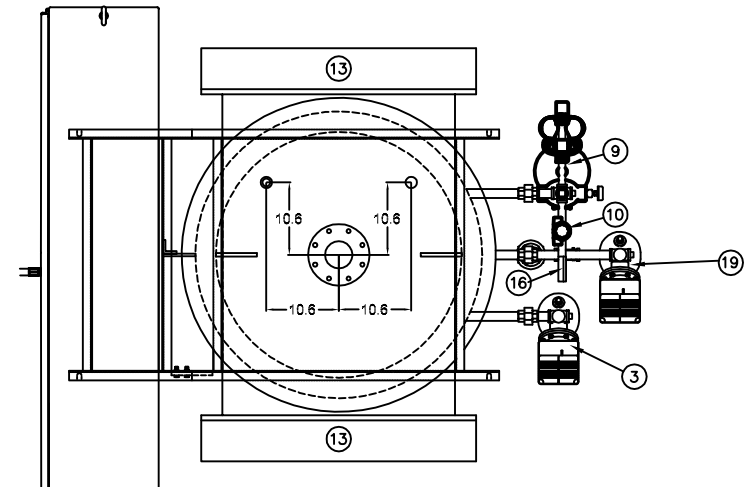
**CAUTION**

DIMENSIONS SHOWN ARE APPROXIMATE AND SHOULD NOT BE USED IN RESIRICTIVE LAYOUTS OR TO PREFABRICATE ASSEMBLIES UNLESS CLEAVER-BROOKS HAS BEEN CONSULTED. IT IS STRONGLY RECOMMENDED THAT THE CUSTOMER REQUEST AS-BUILT CERTIFIED DRAWINGS FOR THESE CASES.

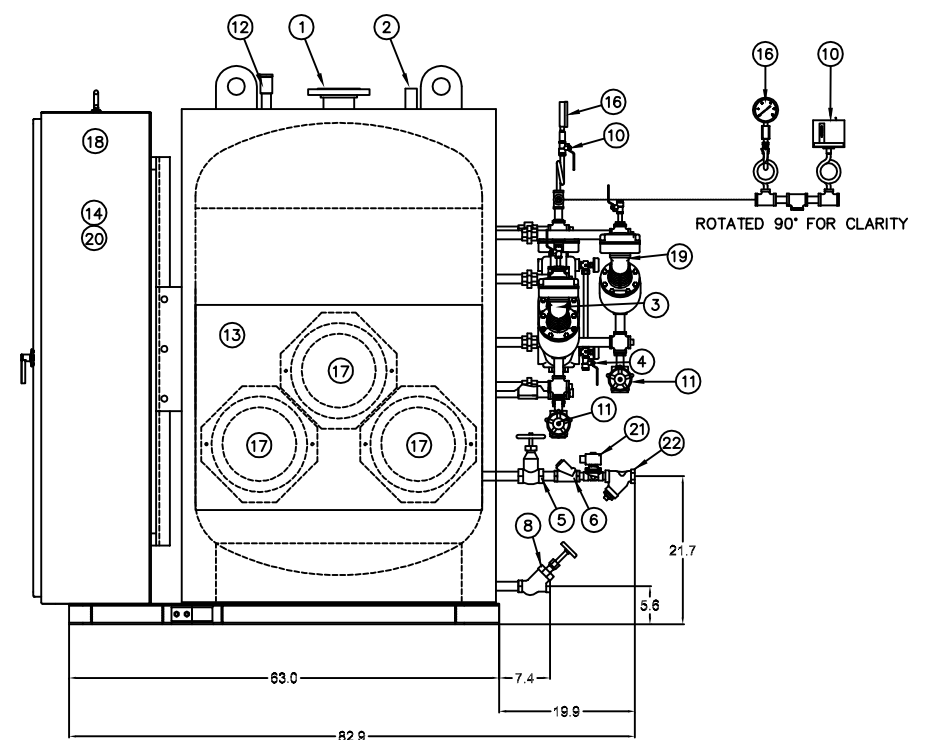
BOILER MAY BE SHOWN WITH OPTIONAL EQUIPMENT IN LUEI OF STANDARD COMPONENTS.



FRONT VIEW



TOP VIEW



SIDE VIEW

REVISIONS	<b>SPECIFICATIONS</b>
	PRESSURE: DESIGN <u>150</u> PSI KW <u>1219</u> AT <u>600</u> / <u>3</u> / <u>60</u> <u>78</u> ELEMENTS AT <u>15.6</u> KW <u>78</u> WSI SAFETY VALVE SET PRESSURE <u>150</u> PSI

SAMPLE	DIMENSIONAL DRAWING
	SHT 01 OF 01

SCALE <b>N.T.S.</b>
DATE 2/11/11
DRAWN
SIZE

<b>CleaverBrooks®</b>				
S TYPE	421 SIZE	1219 KW	150ST PRESSURE	GALLONS N/A
600 VOLTS	3 PHASE	60 HERTZ	3 WIRE	INSURANCE
DRWG. NO.		SAMPLE		00

D  
C  
B  
A