

THIS DRAWING IS PROPERTY OF CLEAVER-BROOKS, INC. IT IS SUBJECT TO CHANGE WITHOUT NOTICE, AND IS NOT TO BE COPIED OR USED IN ANY WAY DETRIMENTAL TO THE COMPANY. SUGGESTIONS AND INFORMATION CONTAINED ON THIS DRAWING ARE NOT INTENDED TO SUPPLANT LOCAL CODES.

4

3

2

1

| ITEM | DESCRIPTION/MATERIAL                      |
|------|---|
| 1    | STEAM OUTLET – 8.0” FLG 150#              |
| 2    | SAFETY VALVE – 15 PSI (Shipped Loose)     |
| 3    | LOW WATER CUTOFF WATER COLUMN – McD&M 42  |
| 4    | SIGHT GAUGE GLASS BLOWDOWN                |
| 5    | FEEDWATER – GLOBE VALVE 0.75 NPS          |
| 6    | FEEDWATER – SWING CHECK VALVE 0.75 NPS    |
| 7    | SURFACE BLOWOFF METERING SYSTEM – 0.5 NPS |
| 8    | BLOWDOWN DRAIN VALVE – 1.5 NPS            |
| 9    | AUX. LOW WATER CUTOFF – PROBE (NOT SHOWN) |
| 10   | PRESSURE CONTROL – OPERATING              |
| 11   | WATER COLUMN BLOWDOWN – 0.75 NPS          |
| 12   | PRESSURE CONTROL – HIGH LIMIT             |
| 13   | ELEMENT ACCESS PANEL                      |
| 14   | POWER SWITCH                              |
| 15   | ENTRANCE PANEL DOOR                       |
| 16   | PRESSURE GAUGE                            |
| 17   | STEP LIGHTS                               |
| 18   | PRESSURE CONTROL – MODULATING             |

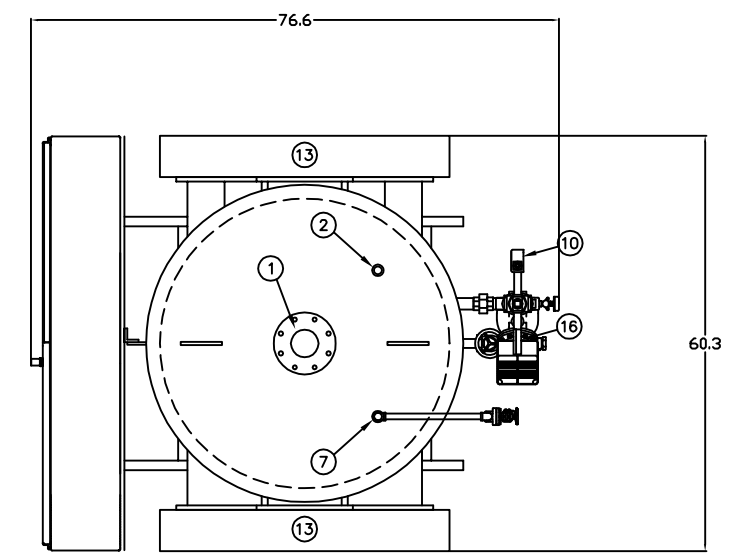
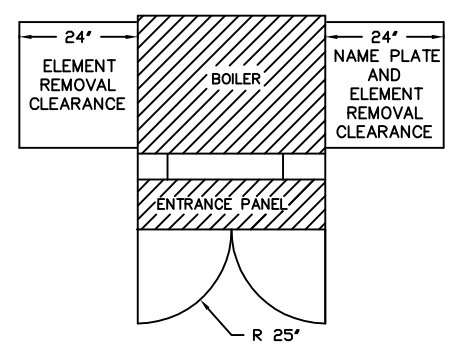
**NOTES:**

- 1) Boiler to be constructed per ASME Boiler and Pressure Vessel Code, Section IV, "H" stamped and National Board registered.
- 2) Boiler will have a UL labeled panel
- 3) Boiler is wrapped with (2) layers of 2" thick insulation & covered with sheet metal lagging.

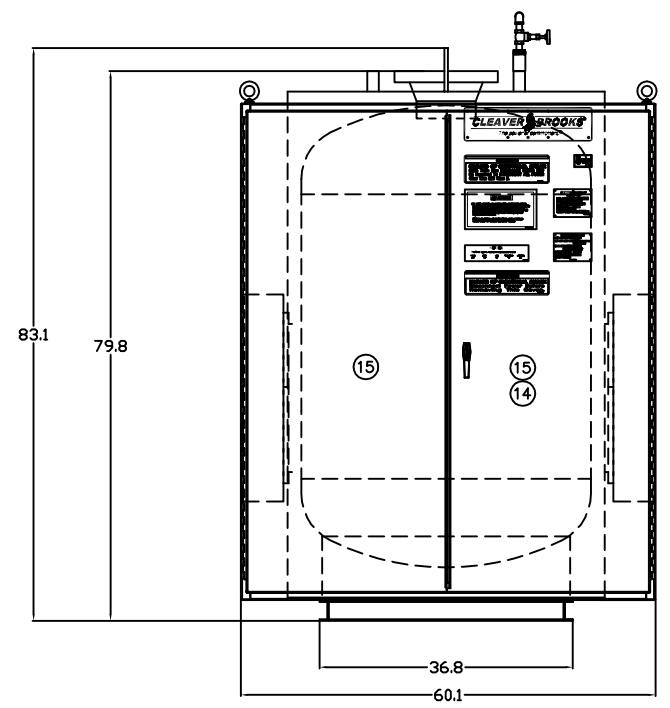
**CAUTION**

DIMENSIONS SHOWN ARE APPROXIMATE AND SHOULD NOT BE USED IN RESTRICTIVE LAYOUTS OR TO PREFABRICATE ASSEMBLIES UNLESS CLEAVER-BROOKS HAS BEEN CONSULTED. IT IS STRONGLY RECOMMENDED THAT THE CUSTOMER REQUEST AS-BUILT CERTIFIED DRAWINGS FOR THESE CASES.

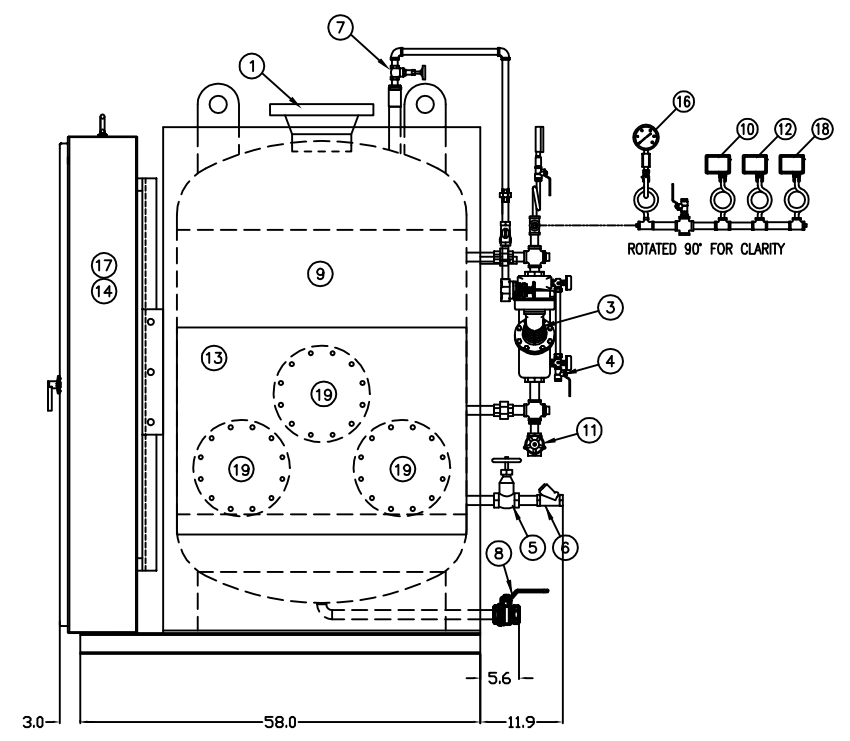
BOILER MAY BE SHOWN WITH OPTIONAL EQUIPMENT IN LUEI OF STANDARD COMPONENTS.



TOP VIEW



FRONT VIEW



SIDE VIEW

| REVISIONS | SPECIFICATIONS  |
|-----------|---|
|           | PRESSURE: DESIGN <u>15</u> PSI<br>KW <u>1296</u> AT <u>480</u> / <u>3</u> / <u>60</u><br><u>108</u> ELEMENTS AT <u>12</u> KW <u>67</u> WSI INCOLOY<br>SAFETY VALVE SET PRESSURE <u>15</u> PSI |

| SAMPLE | DIMENSIONAL DRAWING |
|--------|---------------------|
|        | SHT 01 OF 01        |

|                 |                       |             |             |                  |                |
|-----------------|-----------------------|-------------|-------------|------------------|----------------|
| SCALE<br>N.T.S. | <b>CleaverBrooks®</b> |             |             |                  |                |
| DATE<br>4/9/10  |                       |             |             |                  |                |
| DRAWN           | S<br>TYPE             | 421<br>SIZE | 1296<br>KW  | 15ST<br>PRESSURE | GALLONS<br>N/A |
| SIZE            | 480<br>VOLTS          | 3<br>PHASE  | 60<br>HERTZ | 3<br>WIRE        | INSURANCE      |
| CHECKER<br>EAK  | DRWG. NO.             | SAMPLE      |             |                  | 00             |

D  
C  
B  
A