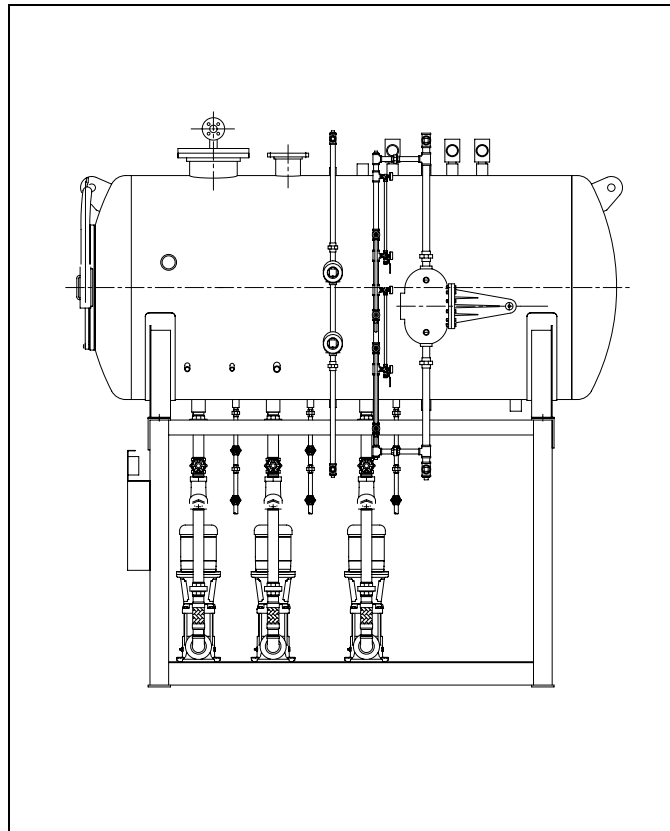
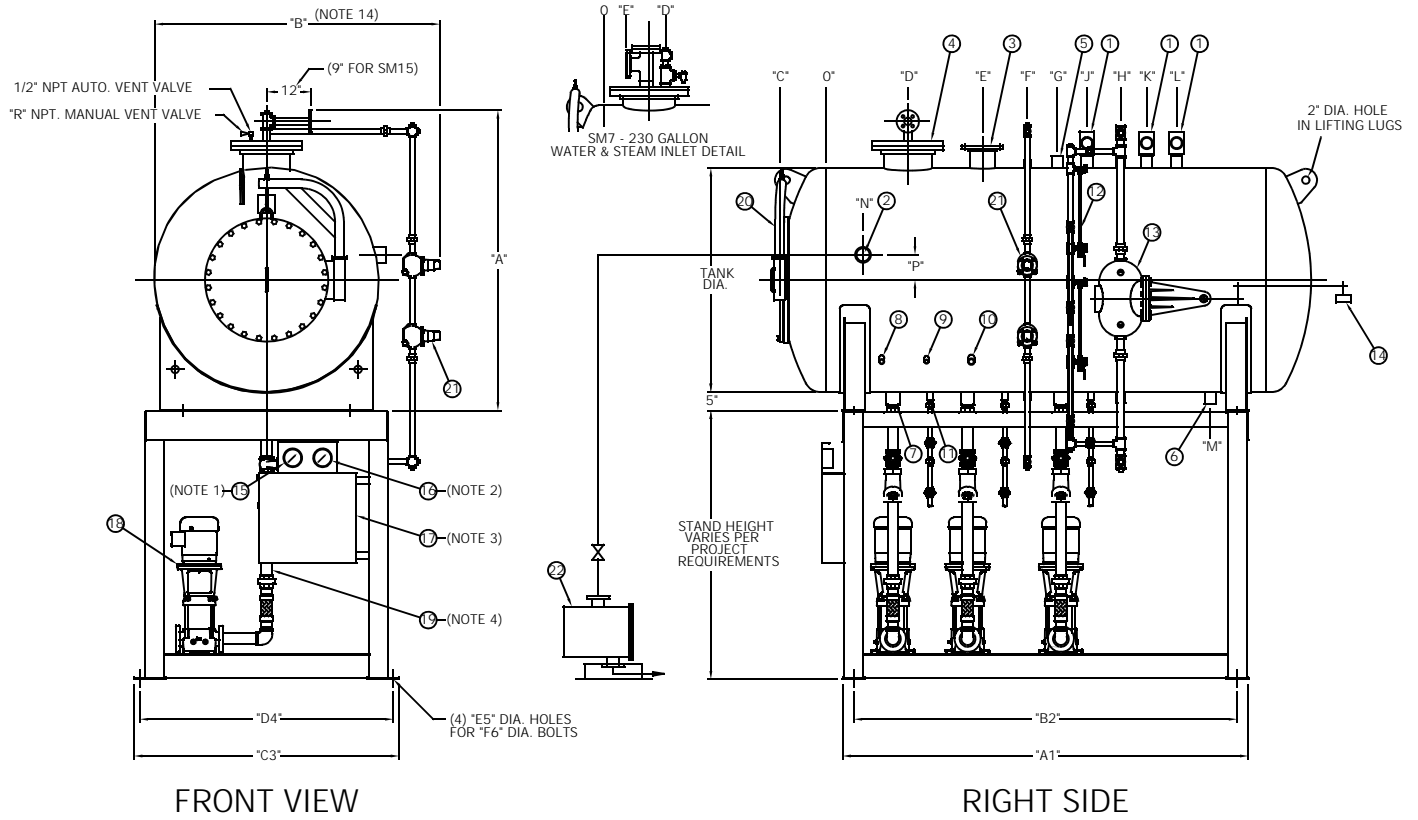


SPRAYMASTER CLASSIC DEAERATORS (Single Tank)



Dimensions and Ratings

Figure 1a. Spraymaster Dimensions (sheet 1 of 2)



1. Mounted at dim. "H" (top of tank) on non-packaged units.
2. Tank mounted on non-packaged units.
3. Packaged units only. Mounted on front of stand.
4. Suction piping includes strainer, gate valve and flexible connector.
5. All couplings are 3000# F.S.
6. All flanges are 150# F.F. except as noted.
7. SM-200 is the same as SM-100 and SM-280 is the same as SM-140 except 2 water & steam inlets are used per vessel (dual inlet).
8. Customer to plug all fittings not being used.
9. Mount tank above pump at elevation necessary for static head including safe allowance for piping friction as approved by pump manufacturer.
10. Deaerator tank is built to ASME Code.
11. Accompanying dimensions, while sufficiently accurate for layout purposes, must be confirmed for construction by certified dimension prints.
12. Add Suffix "P" to Model No. for packaged units (SMP-45).
13. Optional tanks available for 5 minutes storage (except SM7 & SM15), other combinations of capacities as required - contact your local Cleaver-Brooks authorized representative.
14. Dimension "B" will change depending on controls required - contact your local Cleaver-Brooks authorized representative.
15. No interconnecting piping or wiring furnished on non-packaged units unless specified, contact your local Cleaver-Brooks representative for specific piping or wiring furnished on packaged assemblies.
16. Weights shown are without controls or packaging - contact your local Cleaver-Brooks representative for additions.
17. Capacities other than shown as standard available by proper selection of controls - contact your local Cleaver-Brooks authorized representative.
18. Optional tank sizes and ratings available - contact your local Cleaver-Brooks authorized representatives.
19. Lifting lugs are for lifting empty tank only.

RATINGS		SM TANK											
Capacity (Gal. to Overflow)		230	300	450	600	700	900	1000	1400	2000	2800	4000	5600
Tank Weight (Dry) (lb)													
Tank Weight (Flooded) (lb)		3600	7850	10700	11750	13450	15500	17000	25450	33650	41550	52500	73600
Tank Size (Dia x Length)		36 x 71	48 x 96	48 x 134	54 x 118	54 x 136	60 x 129.5	60 x 142.5	66 x 177	72 x 200	84 x 184	96 x 179	108 x 199
TANK DIMENSIONS													
A	Overall Height	58	70	70	76	76	82	82	88	94	108	120	132
B	Overall Width	51	63	63	69	69	75	75	81	87	99	111	123
C	Front Head	8	10	10	11	11	12	12	14	15	17.5	20	21.5
D	Water Inlet - SM 7	17.5	N/A	N/A	N/A	N/A	N/A	N/A	N/A	N/A	N/A	N/A	N/A
	Water Inlet - SM 15 thru 100	N/A	20	22	22	22	22	22	22	22	22	22	22
	Water Inlet - SM140	N/A	N/A	N/A	N/A	N/A	N/A	N/A	18	18	18	18	18
E	Steam Inlet	6.5	40	42	42	42	42	42	42	42	42	42	42
F	Level Alarm	32	50	54	54	54	54	54	56	56	56	56	56
G	High Temperature Return	27	55	62	62	62	62	62	63	63	63	63	63

Figure 1b. Spraymaster Dimensions (sheet 2 of 2)

H	Level Control	44.5	60	79	79	79	79	79	90	90	90	90	90	
J	Relief Valve	38.5	66 *	70	70	70	70	70	100	100	100	100	100	
K	Relief Valve	50	66 *	86	86	86	86	86	111	111	111	111	111	
L	Relief Valve	N/A	N/A	N/A	N/A	N/A	N/A	N/A	122	122	122	122	122	
M	Drain	10	30	98	84	98	93	103	135	153	135	127	144	
N	Overflow	5	10	10	10	10	10	10	14	14	14	14	14	
P	Overflow	10	0	0	3.75	3.75	6.75	6.75	6.5	8	14.5	26.5	27.5	
	Sprayhead	SM15		SM30		SM45		SM70		SM100/200		SM140/280		
R	Manual Vent Valve Size	0.75		0.75		0.75		1		1.5		2		
STAND DIMENSIONS														
Capacity (Gal. to Overflow)		230	300	450	600	700	900	1000	1400	2000	2800	4000	5600	
A1	Overall Length	52.5	74	108.5	92.5	108.5	101	108.5	144	162	149	134	151	
B2	C/L to C/L Bolt Holes	47.5	69	102.5	87.5	102.5	95	102.5	138	155	146	127	144	
C3	Overall Width	49	62	66	64	66	71	71	76	83	86.5	102	113	
D4	C/L to C/L Bolt Holes	46	59	63	61	63	68	68	73	80	79.5	99	110	
E5	Hole Size	0.75	1	1	0.75	1	1.125	1.125	1.25	1.125	1.125	1.125	1.25	
F6	Anchor Bolt Size	0.625	0.875	0.875	0.625	0.875	1	1	1.125	1	1	1	1.125	
CONNECTIONS AND TRIM														
1	Relief Valve Size	Contact Your Local Cleaver-Brooks Authorized Representative												
2	Overflow Size	1.5" NPT	3" NPT	3" NPT	3" NPT	3" NPT	3" NPT	3" NPT	3" NPT	4"-150# FF	4"-150# FF	4"-150# FF	6"-150#	6"-150# FF
3	Steam Inlet Size	See Table Below												
4	Water Inlet Size	See Table Below												
5	High Temperature Return Size	1.5" NPT	1.5" NPT	2" NPT	2" NPT	2" NPT	2" NPT	2" NPT	2" NPT	3" NPT	3" NPT	3" NPT	3" NPT	3" NPT
6	Drain Size	1.5" NPT	2" NPT	2" NPT	2" NPT	2" NPT	2" NPT	2" NPT	2" NPT	2" NPT	2" NPT	2" NPT	2" NPT	2" NPT
7	Suction Size	2.5" NPT	2.5" NPT	2.5" NPT	2.5" NPT	2.5" NPT	2.5" NPT	2.5" NPT	2.5" NPT	4"-150# FF	4"-150# FF	4"-150# FF	4"-150#	4"-150# FF
8	Thermometer (3/4" NPT)													
9	Sample (1/2" NPT)													
10	Chemical Feed (1" NPT)													
11	Recirculation (1" NPT)													
12	Gauge Glass Assembly													
13	Level Controller (1.5" NPT)													
14	Make-Up Valve													
15	Pressure Gauge													
16	Thermometer													
17	Control Panel (Optional)													
18	Feed Pump/Motor (Optional)													
19	Suction Piping (Optional)													
20	Manway Size - SM 7	20"	N/A	N/A	N/A	N/A	N/A	N/A	N/A	N/A	N/A	N/A	N/A	N/A
	Manway Size - SM 15 thru 70	N/A	28"	28"	28"	28"	28"	28"	28"	28"	28"	28"	28"	28"
	Manway Size - SM100, 200	N/A	32"	32"	32"	32"	32"	32"	32"	32"	32"	32"	32"	32"
	Manway Size - SM140, 280	N/A	N/A	N/A	N/A	N/A	N/A	N/A	N/A	36"	36"	36"	36"	36"
21	Level Alarms (Optional) (1" NPT)													
22	Overflow Drainer (Optional)													
	RATINGS for													
	SPRAYMASTER MODEL	TANK SIZES		RATING (lb/hr)		Conn 3 Steam Inlet			Conn 4 Water Inlet					
	SM-7	230		7000		3"-150# FF Flg			1" NPT					
	SM-15	300 thru 700		15000		6"-150# FF Flg			1.5"-150# RF Flg					
	SM-30	300 thru 5600		30000		6"-150# FF Flg			2"-150# RF Flg					
	SM-45	300 thru 5600		45000		6"-150# FF Flg			2"-150# RF Flg					
	SM-70	300 thru 5600		70000		6"-150# FF Flg			2.5"-150# RF Flg					
	SM-100	300 thru 5600		100000		6"-150# FF Flg			3"-150# RF Flg					
	SM-140	2000 thru 5600		140000		8"-150# FF Flg			4"-150# RF Flg (2)					
	SM-200 (NOTE 7)	2000 thru 5600		200000		6"-150# FF Flg			3"-150# RF Flg					
	SM-280 (NOTE 7)	2000 thru 5600		280000		8"-150# FF Flg			4"-150# RF Flg (2)					

* 2 relief valve tappings for SM 300 located at 66" are offset 6" on either side of top centerline.



